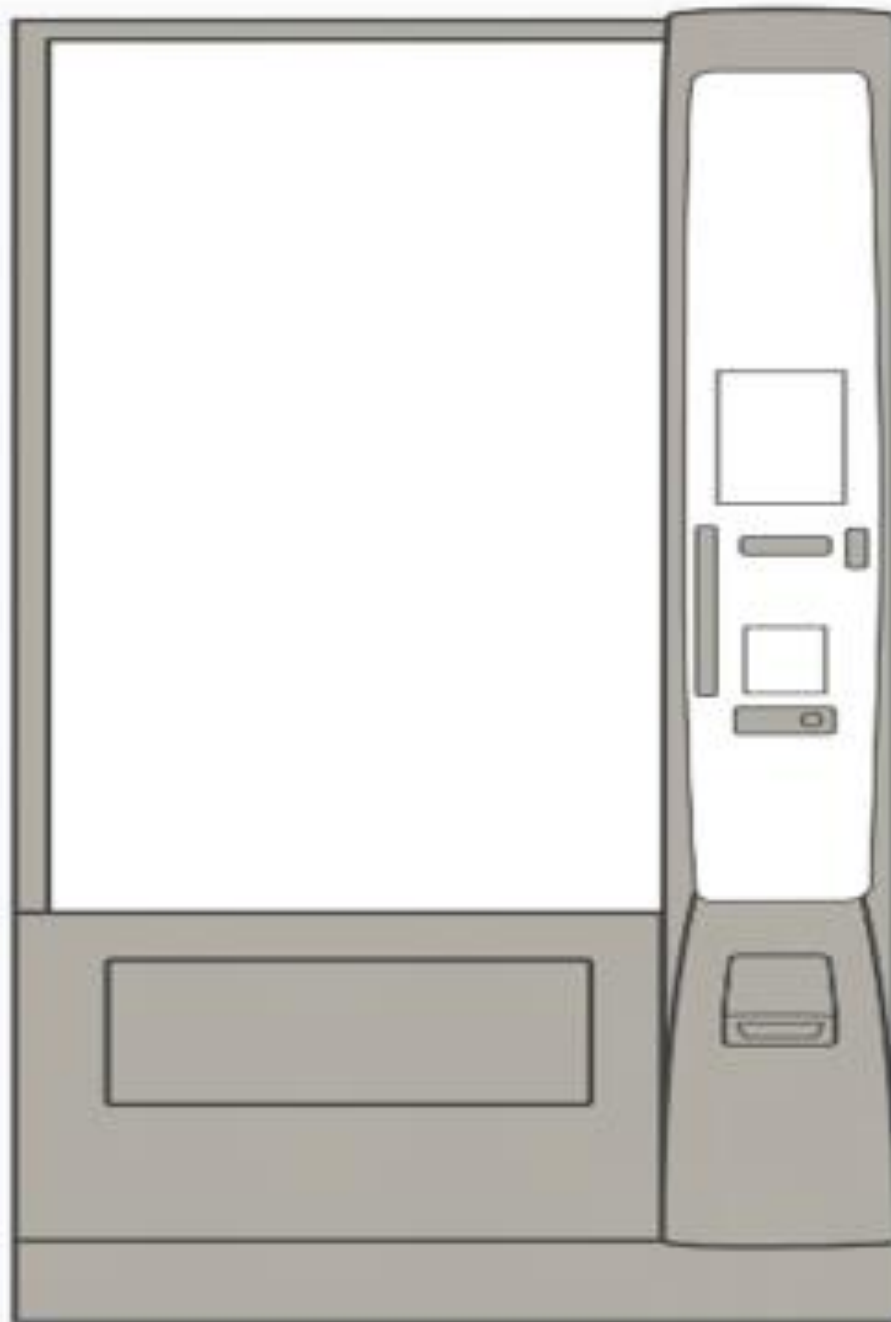


# Merchant Media 2 Combo

Parts Manual  
Panelized Cabinet

471D-HC / 471E-HC  
Models 472D-HC / 472E-HC



PN - 403760



# HOW TO ORDER PARTS

## Ordering Parts in North America:

1. Determine part number(s) needed by referring to drawing of part. Locate item number from drawing and refer to item number, part number and description.
2. Complete your parts order, double check part numbers and quantities. Include a call back number in the event there is a question regarding your order. Fax, email, or mail your order to CPI or place your order online at [www.cranems.com](http://www.cranems.com).
3. Specify how you would like your order to be shipped. If you do not specify, we will ship the most economical way. In the case of warranty replacements, we reserve the right to determine the method of shipment.

Should you have questions pertaining to this manual or the vendor, please contact CPI write directly to:

Crane Payment Innovations

3330 Crane Way

Williston, SC 29853

800.688.9090 or 800.621.7278

803.266.5051 (fax)

[www.cranems.com](http://www.cranems.com)

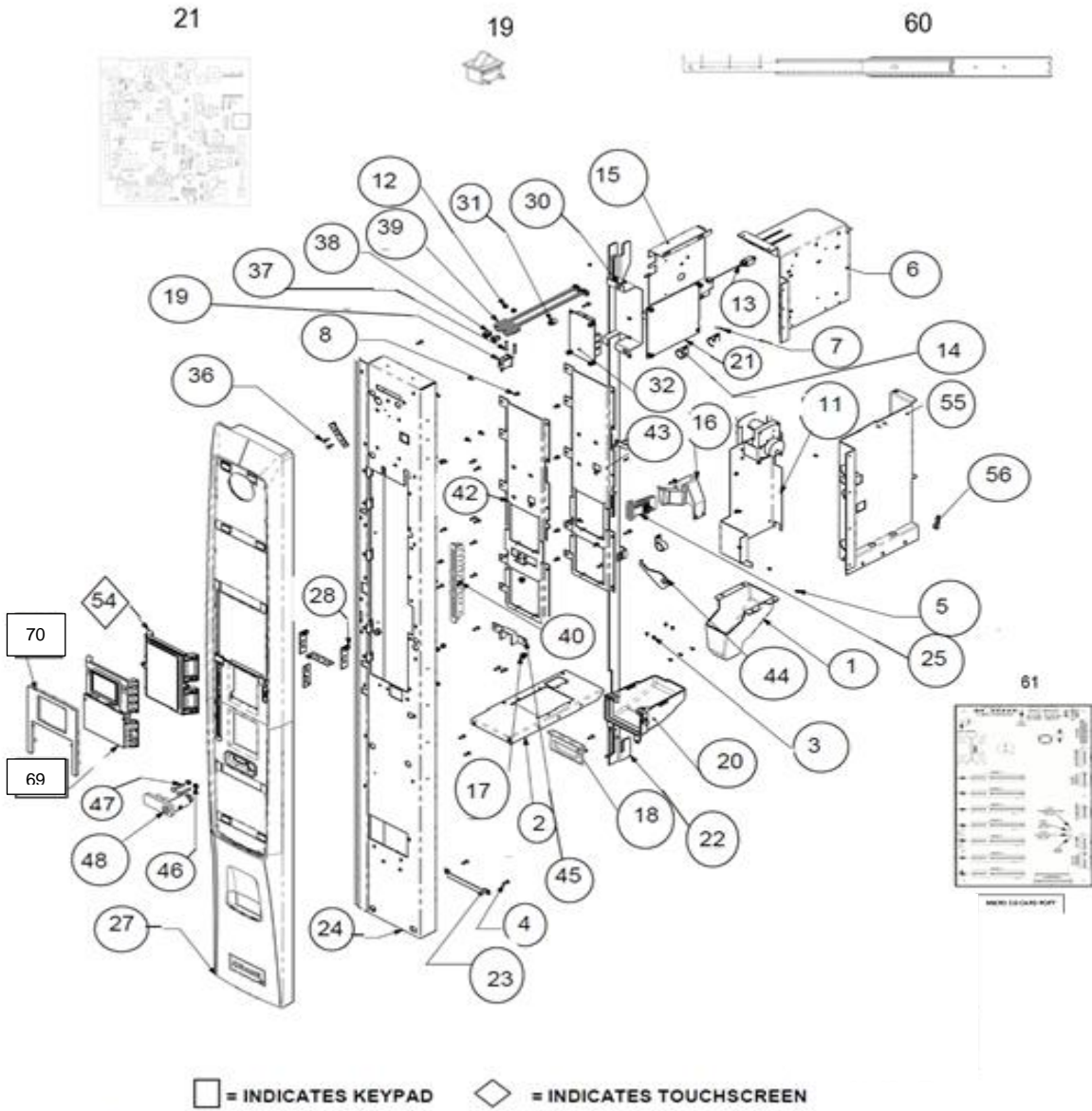
## Ordering Spare Parts Outside of North America:

**T:** +44 (0)1249 444807 or **E:** [technicalsupport@cranems.eu](mailto:technicalsupport@cranems.eu)

## Contents

<b>FIGURE 1: ASSY, SERVICE DOOR MERCHANT MEDIA</b> .....	<b>4</b>
<b>FIGURE 1A: ASSY, SERVICE DOOR BRACKETS</b> .....	<b>7</b>
<b>FIGURE 2: MERCHANT BEZEL</b> .....	<b>8</b>
<b>FIGURE 3: MONETARY PILL</b> .....	<b>9</b>
<b>FIGURE 4: COVER, CORD</b> .....	<b>10</b>
<b>FIGURE 5: ASSEMBLY, COIN MECH</b> .....	<b>11</b>
<b>FIGURE 6: COMBO CABINET AND GLASS DOOR ASSEMBLY</b> .....	<b>12</b>
<b>FIGURE 7: ADA DELIVERY BIN GEAR KITS</b> .....	<b>13</b>
<b>FIGURE 8: BIN &amp; PANEL ASM COMBO</b> .....	<b>14</b>
<b>FIGURE 9: REFRIGERATION UNIT ASSEMBLY – COMBO</b> .....	<b>15</b>
<b>FIGURE 10: COMBO ADA BIN BARRIER</b> .....	<b>17</b>
<b>FIGURE 11: SNACK AND CANDY TRAY ASSEMBLY COMBO</b> .....	<b>18</b>
<b>FIGURE 12: SPIRAL OPTIONS COMBO</b> .....	<b>20</b>
<b>FIGURE 13: BOTTLE TRAY ASSEMBLY COMBO</b> .....	<b>21</b>
<b>FIGURE 14: ASSY AC BOX – DC POWER SUPPLY</b> .....	<b>23</b>
<b>FIGURE 15: ZONE BARRIER COMBO</b> .....	<b>25</b>
<b>FIGURE 16: MEDIA TALKER SPEAKER AND BRACKET ASSY</b> .....	<b>26</b>
<b>FIGURE 17A: Merchant Media (G-Board)</b> .....	<b>27</b>
<b>FIGURE 17B: Merchant Media (H-Board)</b> .....	<b>28</b>
<b>FIGURE 18: NEAR FIELD COMMUNICATION(NFC) KIT</b> .....	<b>29</b>
<b>FIGURE 19: MERCHANT MEDIA I/O BOARD</b> .....	<b>30</b>
<b>QUICK REFERENCE</b> .....	<b>31</b>
<b>WIRING DIAGRAMS</b> .....	<b>33</b>

**FIGURE 1: ASSY, SERVICE DOOR MERCHANT MEDIA**



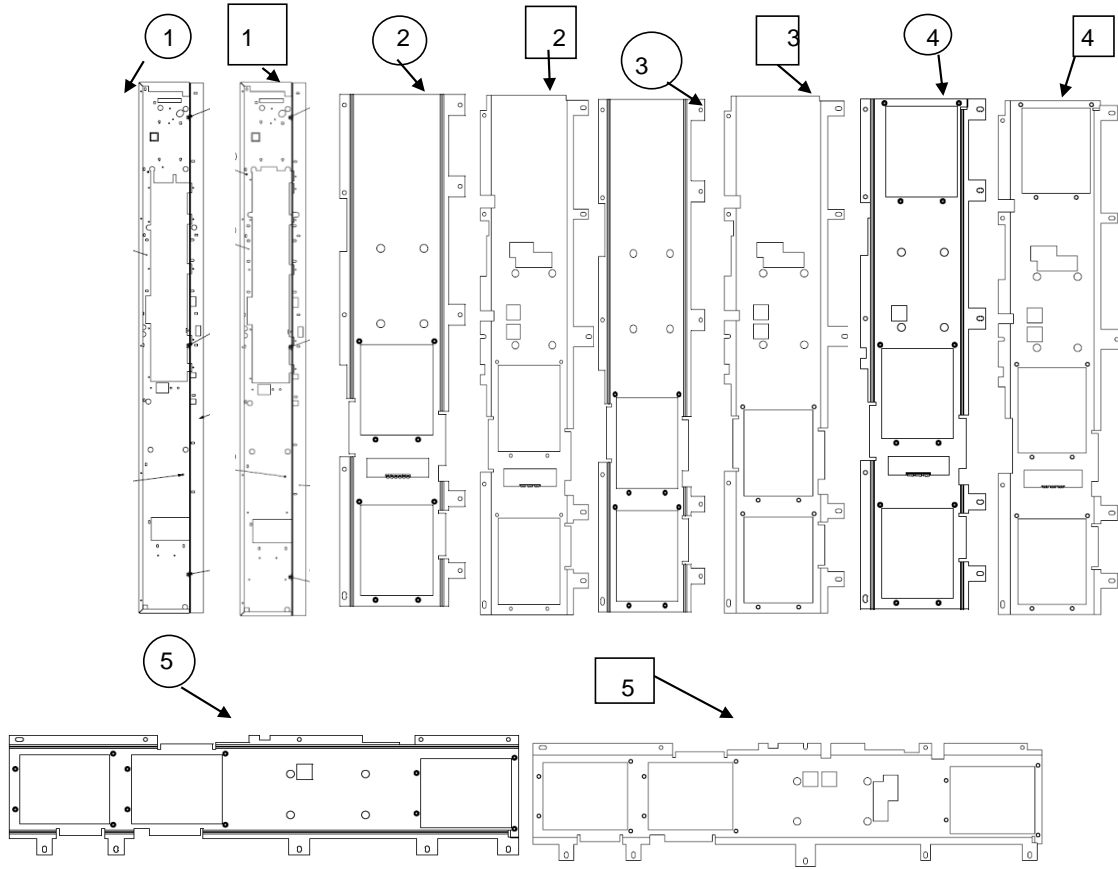
**TABLE 1: ASSY, SERVICE DOOR, MERCHANT MEDIA**

ITEM	Keypad 3.5"	TOUCHSCREEN 9"	DESCRIPTION	QTY
1	104223	104223	CHUTE, COIN RETURN LOWER MERCH	1
2	108111	108111	BRKT, LOWER CHUTE, COMBO	1
4	100243	100243	SCREW, #8-10 x.5 T/F-PHS	29
5	100229	100229	RIVET, 1/8 STEEL ZINC PLT	10
6	111361	111361	ASSY, BKT UPR G MONETARY	1
7	100240	100240	SCREW-#8-18 x .62 HEX/WH.	5
8	100242	100242	SCREW, #8-32X.31 HEX W/HD.-TF	*
9	400438	400438	HARNESS-DOOR SWITCH (NOT SHOWN)	1
13	101004	101004	HARNESS, DEX PANEL MOUNT	1
14	103826	103826	CLIP, HARNESS .750	4
15	108085	108085	COVER, ATLAS H - LED BOARD	1
16	104319	104319	CHUTE, COIN	1
17	103264	103264	STABILIZER-COIN MECH	2
18	401890	401890	FLAP COIN RETURN CUP, MERCH	1
19	103970	103970	SWITCH, DOOR	1
20	101733	101733	CUP, COIN, BV/MERCH	1
21	402841	402841	ATLAS H BRD, W/SFTWR VERIZON MODEM	1
21A	402839	402839	ATLAS H BRD, W/SOFTWARE NO MODEM	1
21B	102976	102976	ATLAS G BRD, (USED WITH KEYPAD)	1
22	402495	402495	LOCKBAR MERCHANT/MG	1
24	110707	110707	ASSY, MERCHANT G SERVICE DOOR	1
25	102873	102873	INSERT, COIN RAMP	1
25A	111227	111227	BLOCKER COIN INSERT (not shown)	1
25B	104863	104863	COIN SLOT BLOCKER (not shown)	1
26	103767	103767	GASKET, .19X.38	58in
27	104735	104735	ASSY, MERCHANT BEZEL	1
28	100638	100638	LED ACCENT BOARD	1
29	101002	101002	HARNESS-LED (NOT SHOWN)	1
31	101165	101165	STANDOFF, PCB-3/8 SCREW MOUNT	1
32	102975	102975	ASSY, PCB, LED DRIVER	1
34	400062	400062	LIGHT PIPE Ø5mm FLEX LIGHT (NOT SHOWN)	1
35	101015	101015	HARNESS, LED BUNDLE (NOT SHOWN)	1
36	101171	101171	STANDOFF, R, RICHCO	4
39	400936	400936	LGHT ENGINE, HIGH BRGHTNESS RGB	2
40	401599	401599	A, BEZEL, CRDRDR & MAGHEAD	1
40A	100240	100240	SCREW 8-18 X .62 HEX/WH (used to mount #40)	4
41	100842	100842	HARNESS, CARDREADER (Not Shown)	1
42	104722	104722	ASSY BRKT PAYMENT INT BILL	1
43	106108	106108	ASSY BRKT PAYMENT STD	1
45	108095	108095	STIFFENER, L-LOCK	1
46	100163	100163	NUT, R, HEX, 10-24, W/WASHER	2
47	100013	100013	BOLT, CARRIAGE, #10-24-1 1/4	2
48	102641	102641	L-HANDLE MEDIA GLOBAL	1
NS	103503	103503	SPRING LOCK (ships in handle if no lock &key)	
53	110691	110691	HARN, ATLAS H- 9in TOUCH MEDIA (Not Shown)	1
54A	N/A	402183	9IN LOGIC TOUCHSCREEN (not Shown)	
55	106468	106468	ASSY, RT SIDE MONETARY BRKT	1
56	102892	102892	LATCH, R, ACCESS DOOR	1
57	101009	101009	HARNESS-MDB (Not Shown)	1
58	101128	101128	PWR CRD,16AWG, 171" DOM GFCI (Not Shown)	1

**TABLE 1: ASSY, SERVICE DOOR, MERCHANT MEDIA (continued)**

<b>ITEM</b>	<b>Keypad 3.5"</b>	<b>TOUCHSCREEN 9"</b>	<b>DESCRIPTION</b>	<b>QTY</b>
59	103767	103767	GASKET, .19X.38 (100 ft./roll) <i>(Not Shown)</i>	58"
60	104213	104213	SLIDE, MONETARY <i>(SEE BELOW)</i>	3
61	403769	403769	PCB ASSY-MERCHANT IO	1
63	103241	103241	COIN BOX (NOT SHOWN)	1
64	400057	400057	BOARD, UIC 680 NFC READER MEDIA	1
65	112501	112501	KIT, RETROFIT, INT NFC LOW	1
66	106770	106770	K, RETROFIT INT NFC LED	1
67	104929	104929	PLATE, FILLER BILL VLDTR	1
68	104348	N/A	HARN,ATLAS TO KEYPAD DISPLAY (NOT SHOWN)	1
69	104281	N/A	KEYPAD ASSEMBLY	1
70	108416	N/A	ASSEMBLY, FRAME KEYPAD	1

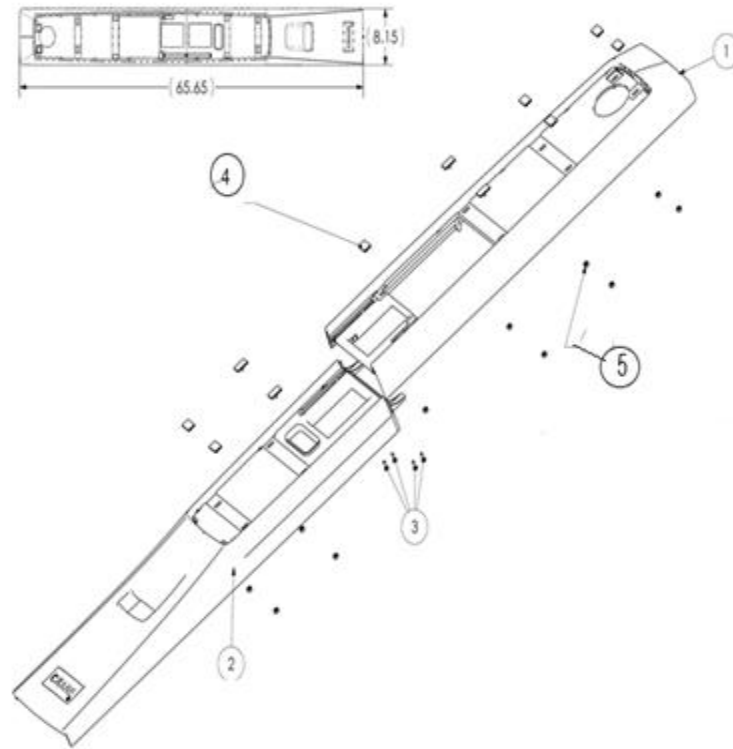
**FIGURE 1A: ASSY, SERVICE DOOR BRACKETS**



**TABLE 1A: ASSY, SERVICE DOOR, MERCHANT MEDIA**

ITEM	PART NUMBER	DESCRIPTION	QTY
1	110707	ASSY, MERCHANT SERVICE DOOR	1
2	110714	ASSY BRKT PAYMENT INT BILL	1
3	106109	ASSY BRKT PAYMENT STD	1
4	106110	A, BRKT, TOP KO INT PAYMENT	1
5	106119	A, BRKT, TOP KO STD PAYMENT	1

## FIGURE 2: MERCHANT BEZEL












**TABLE 2: ASSY, MERCHANT BEZEL**

ITEM	PART NUMBER		DESCRIPTION	QTY
	CHAMPAGNE	BLACK		
1	110713	108143	BEZEL, UPPER CHAMPAGNE	1
1	108144	N/A	BEZEL, UPR MERCHANT CHAM TOP KO	1
2	104209	104338	PANEL, LOWER CHAMPAGNE	1
3	102874	102874	PILL IINSTALL HARDWR KIT (Includes A-C)	
A	100243	100243	SCREW, #8-10 x.5 T/F-PHS	4
B	100002	100002	ASSY, ADHESIVE PILL MNT	11
C	100153	100153	NUT, #8-32 KEPS ZINC PLATE	11












## FIGURE 3: MONETARY PILL

### 3.5" KEYPAD PILLS

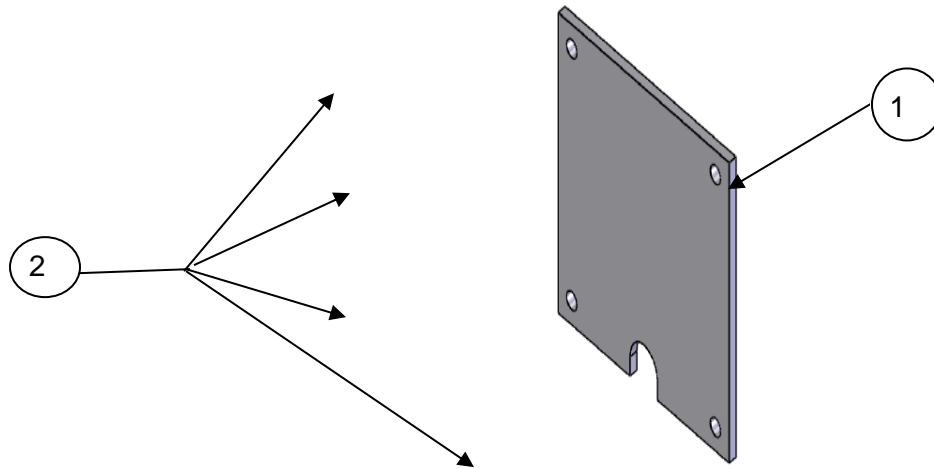
								
A	B	C	D	E	F	G	H	I
PILL, MERCH, 3.5IN, INT	PILL, MERCH, 3.5IN, INT CRD	PILL, MERCH, 3.5IN, INT BILL	PILL, MERCH, 3.5IN UPR KO	PILL, MERCH, 3.5 IN,2KO	PILL, MERCH, 3.5IN, INT CRD, 2KO	PILL, MERCH, 3.5IN, INT, LWR KO	PILL, MERCH, 3.5IN, INT BILL, LWR KO	PILL, MERCH, 3.5IN

### 9" TOUCH SCREEN PILLS

								
A	B	C	D	E	F	G	H	I
PILL, MERCH, 9IN, INT	PILL, MERCH, 9IN, INT CRD w/LP	PILL, MERCH, 9IN, INT BILL, Coin/LP	PILL, MERCH, 9IN UPR KO, COINLESS, W/LP	PILL, MERCH, 9 IN, UPPER KO, COIN/LP	PILL, MERCH, 9IN, INTCRD, 2KO, COIN/LP	PILL, MERCH, 9IN, INT LWR KO, COIN/LP	PILL, MERCH, 9IN, INT BILL, LWR KO, COIN/LP	PILL, MERCH 9IN

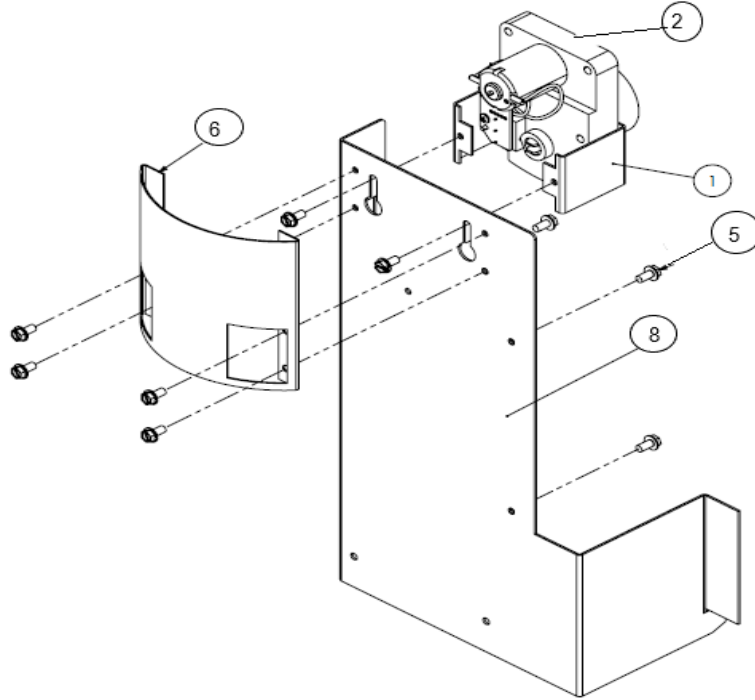
CUSTOM PILLS ARE AVAILABLE BY INQUIRING WITH ORDER ENRTY TEAM OR BY CONTACTING YOUR SALES REPERSENTATIVE

**FIGURE 4: COVER, CORD**



<b>TABLE 4: COVER, CORD</b>			
<b>ITEM</b>	<b>PART NUMBER</b>	<b>DESCRIPTION</b>	<b>QTY</b>
1	104864	COVER, CORD	1
2	100246	SCREW, #8-32X.50 HX.HD.-T/F-BLK	4

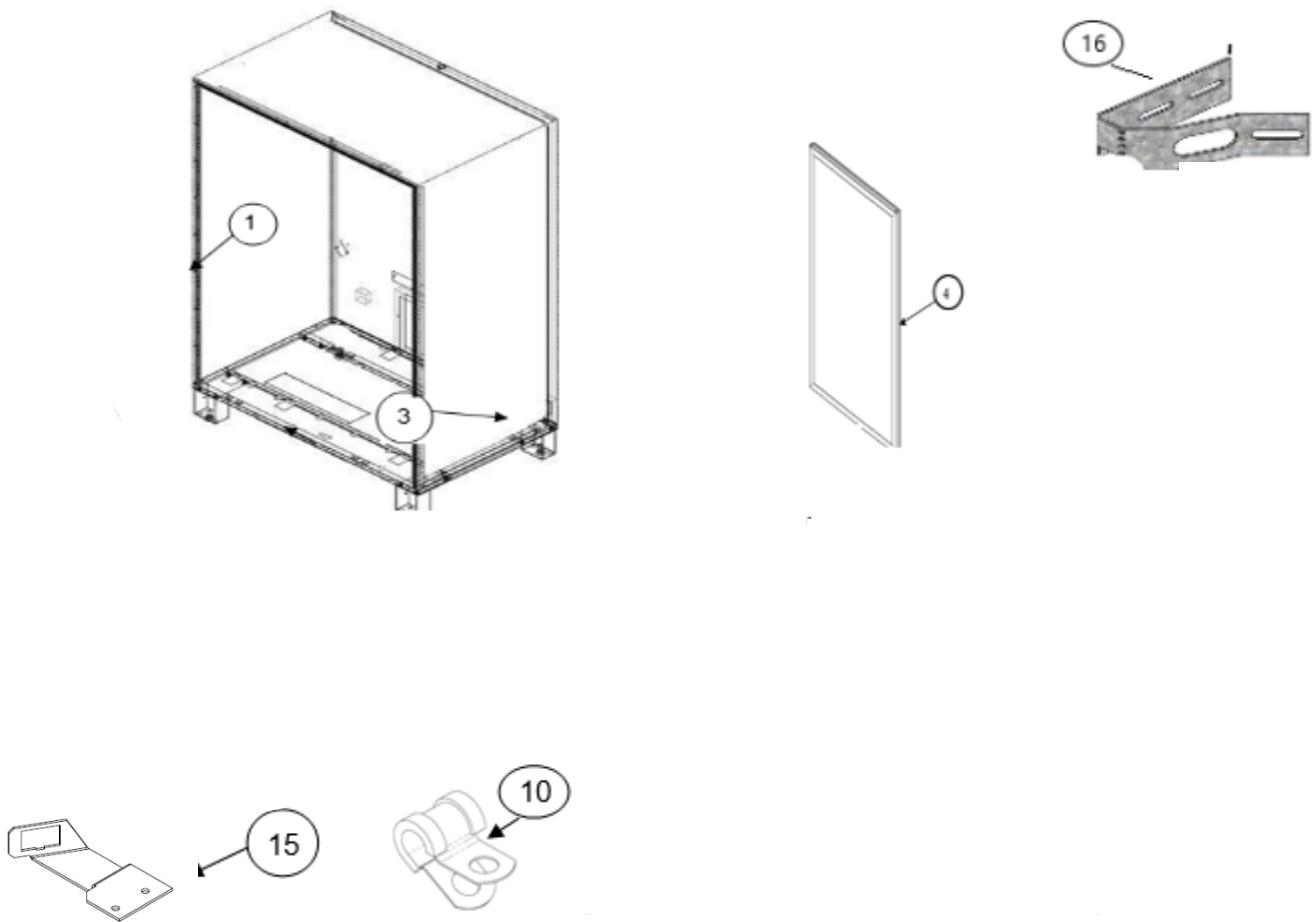
**FIGURE 5: ASSEMBLY, COIN MECH**



**TABLE 5: ASSEMBLY, COIN MECH**

ITEM	PART NUMBER	DESCRIPTION	QTY
	108412	ASSY, COIN MECH (INCLUDES P/N 1 – 9)	1
1	108018	BRACKET, COIN RETURN MOTOR	1
2	101067	MOTOR & PC BOARD ASSEMBLY	1
3	101701	CAM-COIN RETURN ( <i>Not Shown</i> )	1
4	100100	COUPLING-MOTOR ( <i>Not Shown</i> )	1
5	100242	SCREW, #8-32X.31 HEX W/HD.-TF	9
6	104253	SHIELD, ALIGNMENT	1
7	106469	BRACKET, COIN MECH	1
8	111824	ASSY-COINMECH MOUNT	1
9	104222	HARNESS, COIN RETURN ( <i>NOT SHOWN</i> )	1

**FIGURE 6: COMBO CABINET AND GLASS DOOR ASSEMBLY**



<b>TABLE 6: COMBO CABINET AND GLASS DOOR ASSEMBLY</b>				
<b>ITEM</b>	<b>4 Wide 471</b>	<b>6 Wide 472</b>	<b>DESCRIPTION</b>	<b>QTY</b>
1	403405	403179	ASSEMBLY, PANELIZED CABINET	1
2	402766	402766	LEG ASSY, COMP 6" PAINTED	4
3	402508	402508	LEVERLER-LEG	4
4	104235	104236	ASSY, GLASS DOOR CMB	1
5	N/A*	N/A*	ASSY, HEATED GLASS DOOR	1
10	104310	104310	CLAMP, STEEL WITH TPE SLEEVE .311"	1
12	103970	103970	SWITCH (Not Shown)	1
13	103241	103241	COIN BOX (Not Shown)	1
14	104332	104332	BRKT, VANDAL, BLK	1
15	402252	402252	BRACKET, PLUG, TRAY	1
16	106480	106480	LOCK ARM, ENCLOSED MEDIA	2
17	400944	110905	BASE PLATE & ACCYS ASM (OPTION)	1

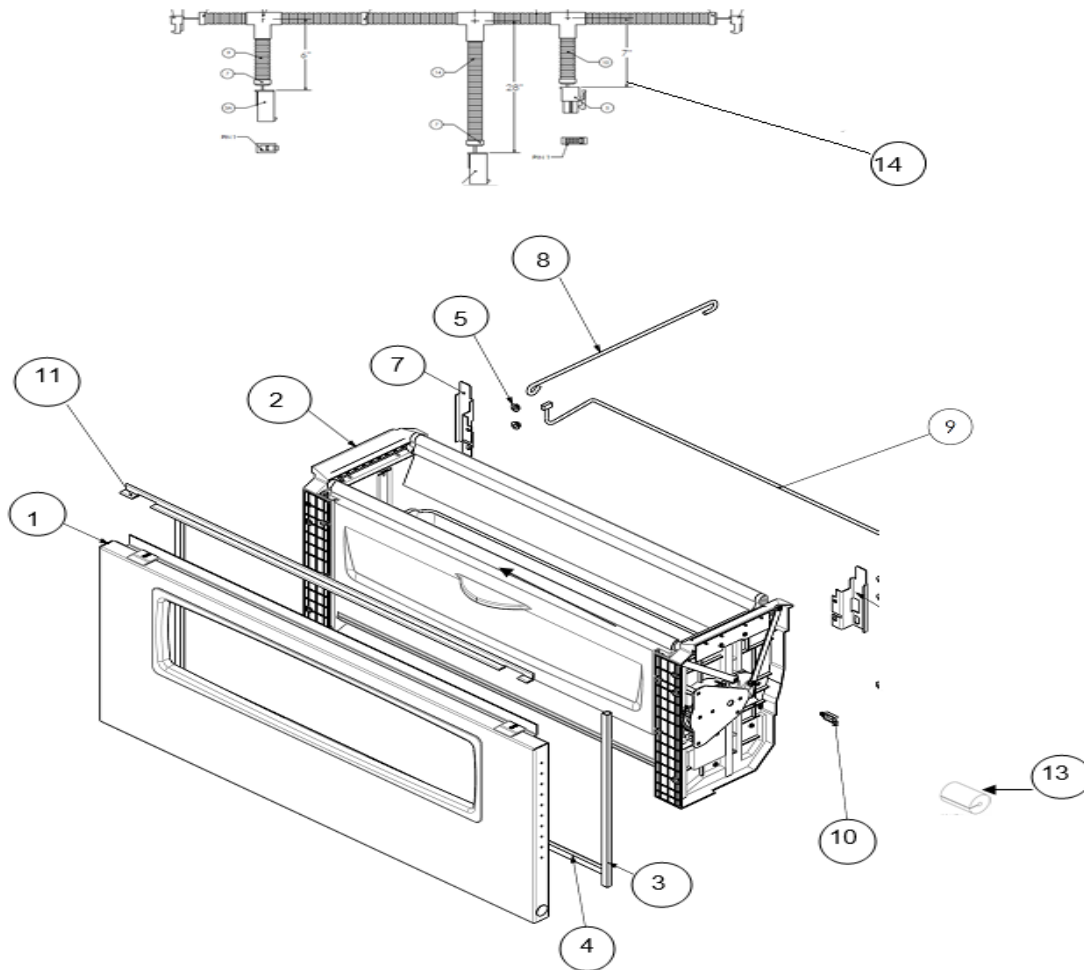
N/A\* = not released at time of manual release

**FIGURE 7: ADA DELIVERY BIN GEAR KITS**



<b>TABLE 7: ADA DELIVERY BIN GEAR KITS</b>			
<b>ITEM</b>	<b>PART NUMBER</b>	<b>DESCRIPTION</b>	<b>QTY</b>
1	109226	KIT, RT & LT SIDE ADA BIN GEARS	1
2	106754	KIT, RIGHT SIDE ADA BIN GEAR	1
3	106755	KIT, LEFT SIDE ADA BIN GEAR	1

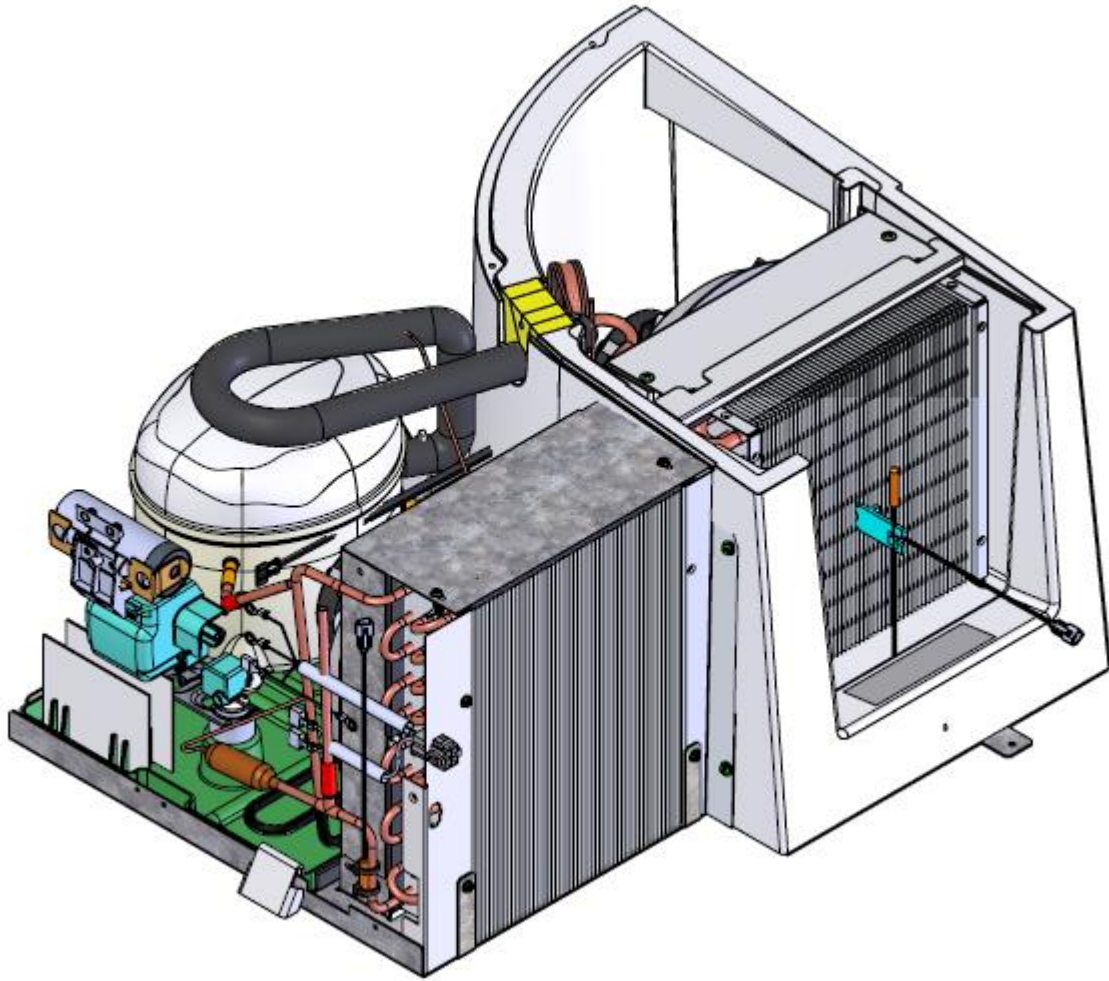
**FIGURE 8: BIN & PANEL ASM COMBO**



**TABLE 8: BIN & PANEL ASM COMBO**

ITEM	4 Wide 471	6 Wide 472	DESCRIPTION	QTY
1	402836	402834	DEL BIN ASSY COMMON	1
2	104254	104254	ROD, STOP, DELIVERY BIN	1
3	103116	103116	NUT, 1/4-20 WHIZ-LOCK	6
4	108131	108131	LATCH BRACKET-BIN CMB R	1
5	110698	110698	GASKET, D, DEL BIN SIDE	2
6	110693	110692	GASKET, DEL BIN/BOTTOM	1
8	108132	108132	LATCH BRACKET-BIN CMB L	1
9	104292	104292	HARNESS, EMITTER TO DETECTOR	1
10	104161	104161	WIRE SADDLE, WSBH-3-01	1
11	104304	104303	BIN DOOR SEAL, ADA CMB	1
13	104323	104322	SEAL, SUREVEND WIRE OPENING	1
14	402782	402782	HARNESS, SUREVEND POWER AND COMM (Not Shown)	1

**FIGURE 9: REFRIGERATION UNIT ASSEMBLY – COMBO**

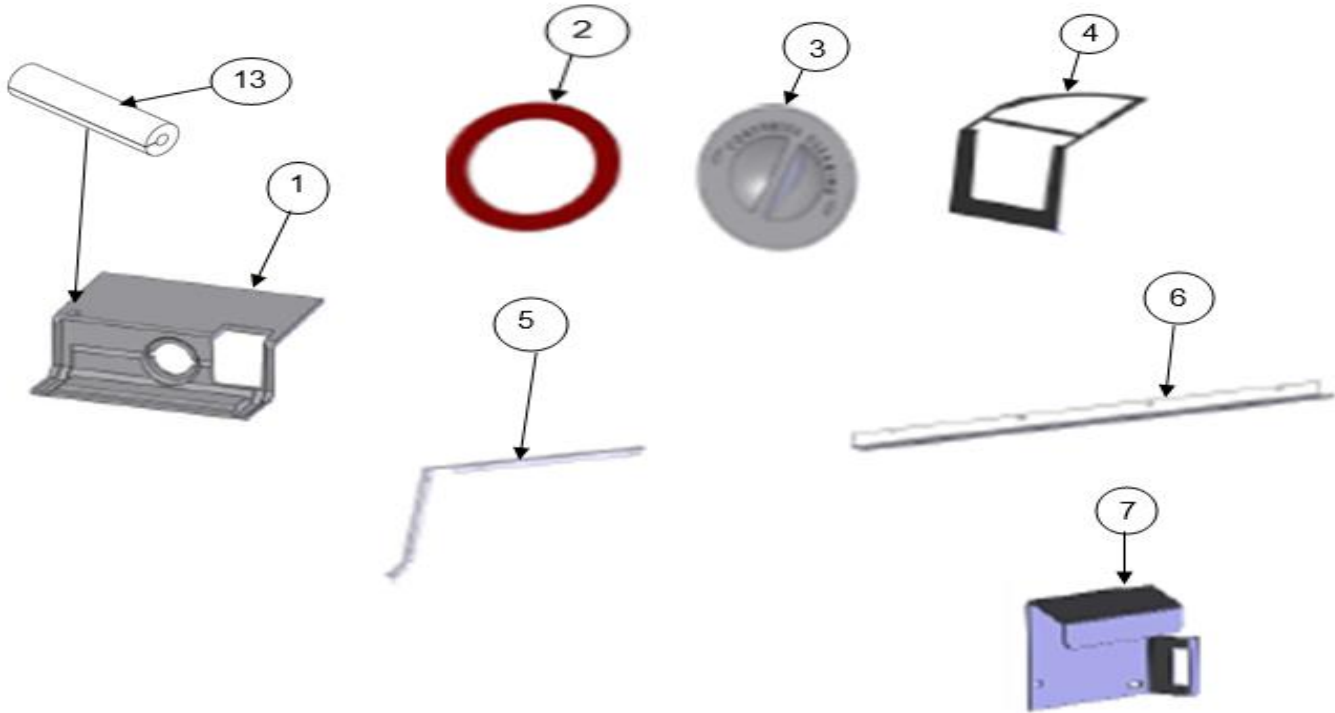


**TABLE 9: REFRIGERATION UNIT ASSEMBLY COMBO**

ITEM NUMBER	DESCRIPTION		
402757	A,REFR DECK, R290, 230V50HZ, EXPORT		
402758	A, REFR DECK, R290, 115V60HZ, DOMESTIC		
	DESCRIPTION	230V 50HZ	115V 60HZ
100014	¼-20 UNC FLANGE BOLT	2	2
100110	TEE RECEIVER/DRIER	1	1
100316	SCRW 8-18X1/2 PH PAN	2	2
100442	GASKET FOAM TAPE .12X.50 OPEN CELL (INCHES)	9.5	9.5
100514	WIRE TIE 7 1/2 LENGTH	5	5
100705	FILTER R290 DRYER MOD	1	1
101583	COMP FFU130UAX R290 – 1/3 HP -115V-127V/60Hz	-	1
101657	REFRIGERANT R290 (GRAMS)	114	114
101658	SOAKER FIBERGLASS	6	6
102994	PLUG COMPRESSOR GROMMET	4	4
103096	TUBE 3/8 RED (INCHES)	2	2
104766	TUBE HIGH SIDE	1	1
104867	TUBE, DISCHARGE CONNECT	1	1
105307	PROCESS TUBE, ¼ OD X 6.75 INCHES	1	1
110704	PROBE TEMP SENSOR DECK	3	3
113568	PAN, CONDENSATE W/WICKS R290	1	1
402081	COMPOSITE STEEL RIVET 0188" DIA.	2	2
402534	LABEL MAN QR CODE R290	1	1
402755	ASSY HEAT EXCHANGER 114g	1	1
402880	THERMISTOR CLIP	1	1
403121	A TRAY REFR DECK R290	1	1
403046	ASSY COND COMBO R290	1	1
403123	REF PUSH BOT PNL CAB MER	1	1
403173	TIE BLACK PANDUIT-PLT1.5I-M100	2	2
ITEMS BELOW ARE PART OF THE REFRIGERATION DECK CURRENTLY STATUS 30			
100088	CLIP RETAINER COMPRESSOR	4	4
100115	GROMMET, COMPRESSOR TALL	4	4
100254	SCREW, 6-32X1/4 MACH BRAS	2	2
100276	SCREW 10-16 X 1/2 HEX HD	2	2
100287	SCREW #10 X.750 TEK ZINC	4	4
100321	SCREW 8-32X3/8 HXWSHR	5	5
100516	WIRE TIE TWIST	1	1
101626	A MOLDED EVAP BOX FOAMED	1	1
111922	ASSY EVAP COMBO 115-230V	1	1
114856	COMP FFU160UAX R290-1/2HP 220-240V/50Hz	1	-
402190	HARN DECK R290 COMP PWR	1	1
402503	TERMINAL QUICK CONNECT	2	2
402917	DECK THERMISTOR HARNESS	1	1
ITEMS BELOW ARE CURRENTLY STATUS 10 – REFERENCE ONLY			
402889	BRACKET ELECT CONNS	1	1
403361	GASKET EVAP BOX	1	1
403539	TUBE R290 1/4 IN OD – COMPRESSOR DISCHARGE	1	1



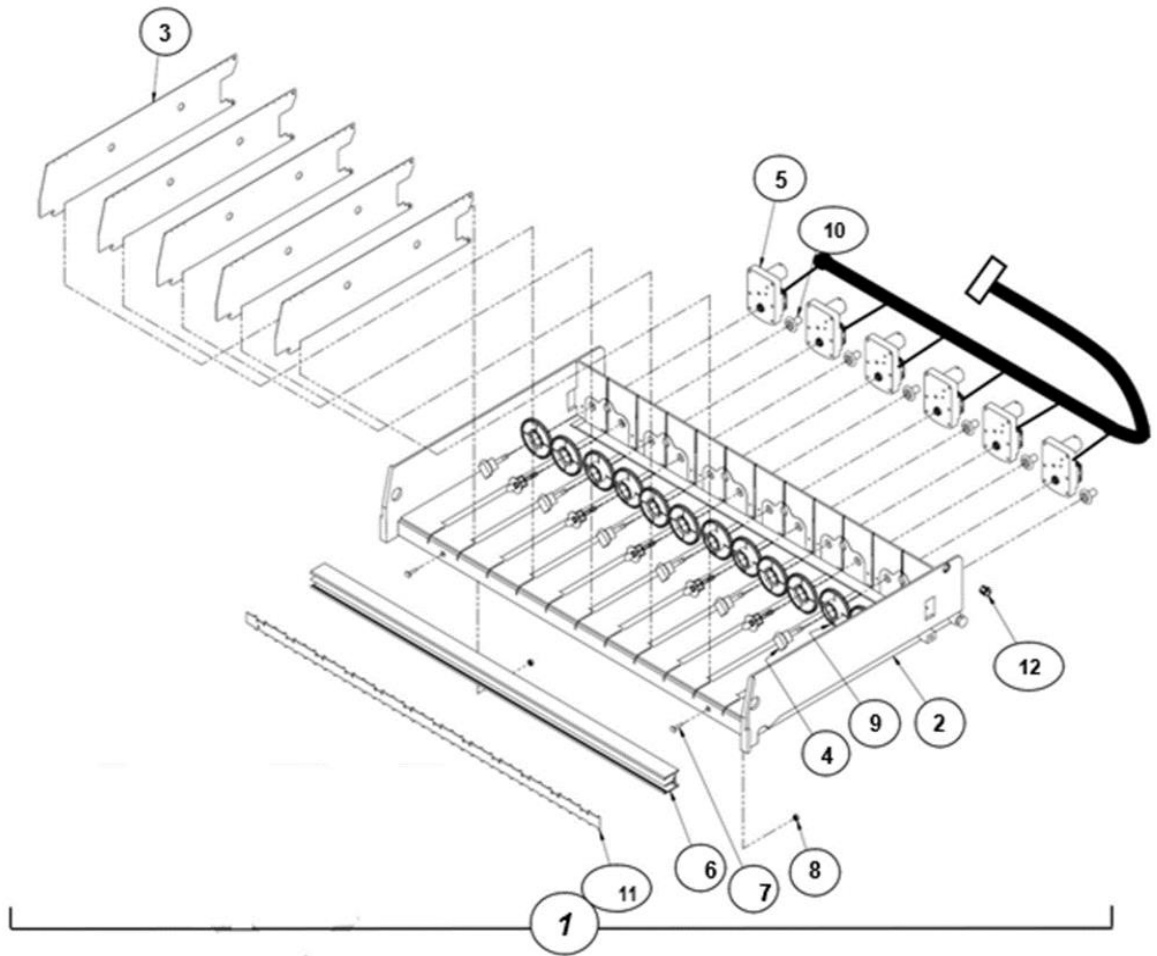
**FIGURE 10: COMBO ADA BIN BARRIER**



**TABLE 10: COMBO ADA BIN BARRIER**

ITEM	4W/471	6W/472	DESCRIPTION	QTY
1	108260	111953	ASSY, HORIZ BARRIER	1
2	104157	104157	SEAL, RUBBER ACCESS PANEL	1
3	100655	100655	CAP, COND CLEANING	1
4	104405	104405	GASKET, EVAP BOX	1
5	108125	108125	SUPPORT, LH BARRIER	1
6	108116	108115	BRACKET, BARRIER	1
7	106709	106709	PLATE, DEFLECTOR LEFT	1
8	104161	104161	WIRE SADDLE, WSBH-3-01 (Not Shown)	2
9	104404	104404	GASKET, REAR CAB (Not Shown)	1
10	104407	104407	GASKET, INSUL BARR CHANNEL (Not Shown)	2
11	100224	100224	RIVET, R, BULBEX 3/16 (Not Shown)	9
12	110417	110417	SCREW, 10-24X3/8F HEX SL BLK (Not Shown)	2
13	N/A	N/A	SEAL, REF PWR MB WIRE OPNNG RM	1

FIGURE 11: SNACK AND CANDY TRAY ASSEMBLY COMBO



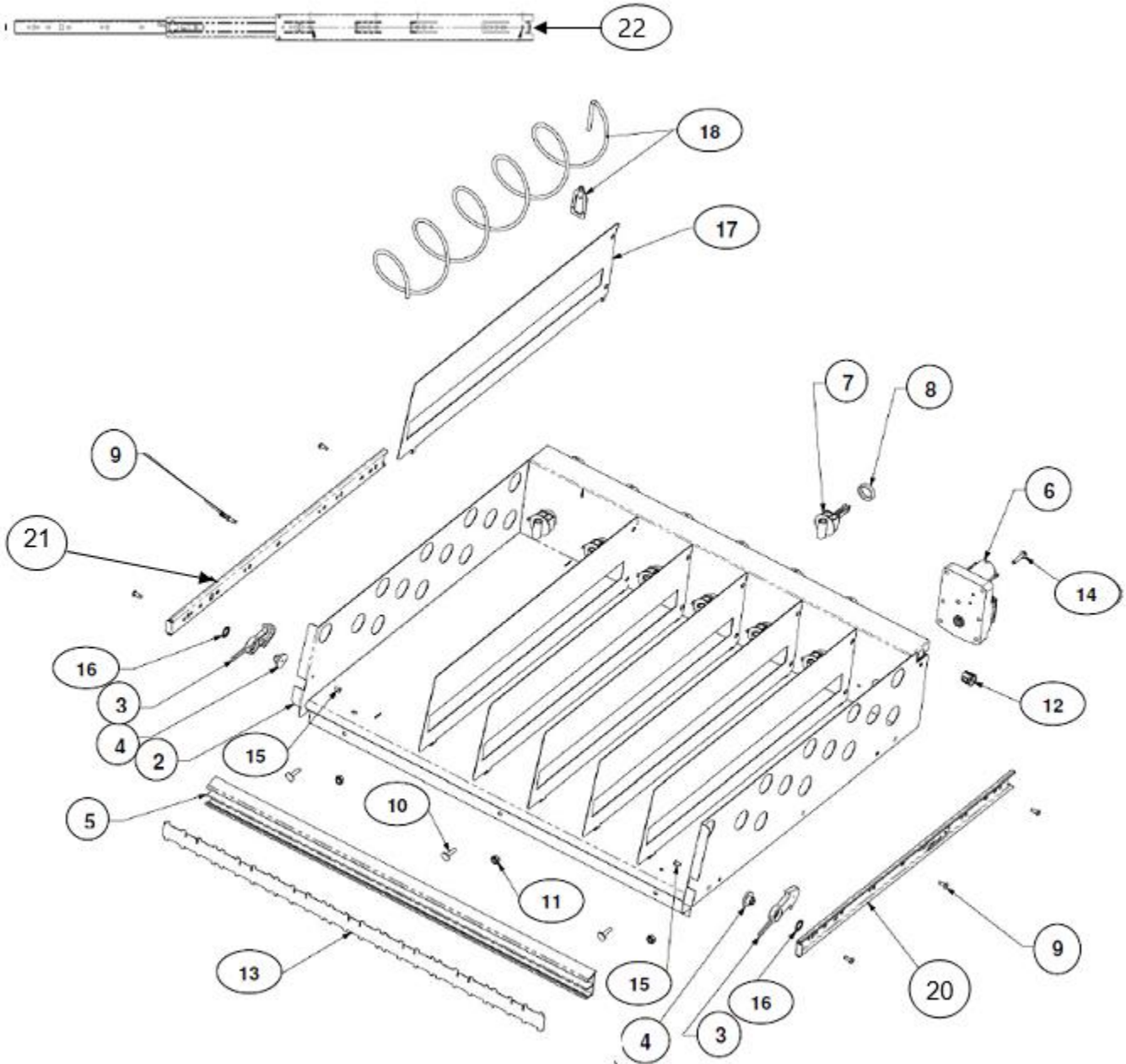
**TABLE 11: SNACK AND CANDY TRAY ASSEMBLY COMBO**

ITEM	471	472	DESCRIPTION	4 W	6 W
1	403085	403084	SNACK TRAY ASSEMBLY (NO SPIRALS)	----	-----
	<b>402344</b>	<b>402344</b>	<b>A LEFT TRAY RAIL W/ROLLR (Snack &amp; Candy)</b>	1	1
	<b>402342</b>	<b>402342</b>	<b>A RIGHT TRAY RAIL W/ROLLR (Snack &amp; Candy)</b>	1	1
2A	104200	104269	ASSY, TRAY W/ROLLERS	1	1
2B	105865	105865	AXLE-TRAY ROLLER – PART OF #2	2	2
2C	112049	112049	ROLLER-TRAY – PART OF #2	2	2
3	103227	103227	WALL-TRAY	----	----
4	103159	103159	COUPLING-SPIRAL	----	----
5	402126	402126	MOTOR & PC BOARD ASSEMBLY	4/8	6/12
6	103214	104139	HOLDER, PRICE & SELECTION	1	1
8	104422	104417	RAIL, PRICE SNACK CMB	1	1
9	100027	100027	T BOLT 8-32 X 3/4	2	2
10	100153	100153	NUT, #8-32 KEPS ZINC PLATE	----	----
	104068	104068	BUSHING, 0.512 DIAMETER	1	1
	<b>402191</b>	----	<b>HARNESS, 4 MOTOR COMBOS</b>	1	----
	<b>402194</b>	----	<b>HARNESS, 8 MOTOR COMBOS</b>	1	----
14		402196	HARNESS, 12 MOTOR COMBOS	---	1
	104142	104142	LABEL, ITEM #'s-100's	1	1
	104148	104148	LABEL, ITEM #'s-200's	1	1
	104149	104149	LABEL, ITEM #'s-300's	1	1
	104150	104150	LABEL, ITEM #'s-400's	1	1
14A	104152	104152	LABEL, ITEM #'s-600's	1	1
15					
NS	110725	110725	ITEM NUMBERS LABEL	1	1
	104312	104312	SEAL, TRAY HARNES WR OPNNG	1	1

## FIGURE 12: SPIRAL OPTIONS COMBO

<b>TABLE 12: SPIRAL OPTIONS 28" DEEP MACHINE COMBO</b>					
<b>ITEM COUNT</b>	<b>RETAINER COLOR</b>	<b>L/H ASSEMBLY</b>	<b>R/H ASSEMBLY</b>	<b>RETAINER</b>	<b>DIMENSION BETWEEN COILS</b>
4	GREEN	106077	106078	103130	3.66"
5	TAN	103224	103225	106581	2.90"
6	PURPLE	103223	106075	112013	2.46"
7	BROWN	106079	106080	105867	2.23"
8	GRAY	106071	106072	105874	1.81"
10	BLUE	106068	103218	105819	1.44"
12	YELLOW	106069	106070	103128	1.18"
14	RED	103219	103220	103129	1.00"
18	WHITE	103221	103222	105820	.75"

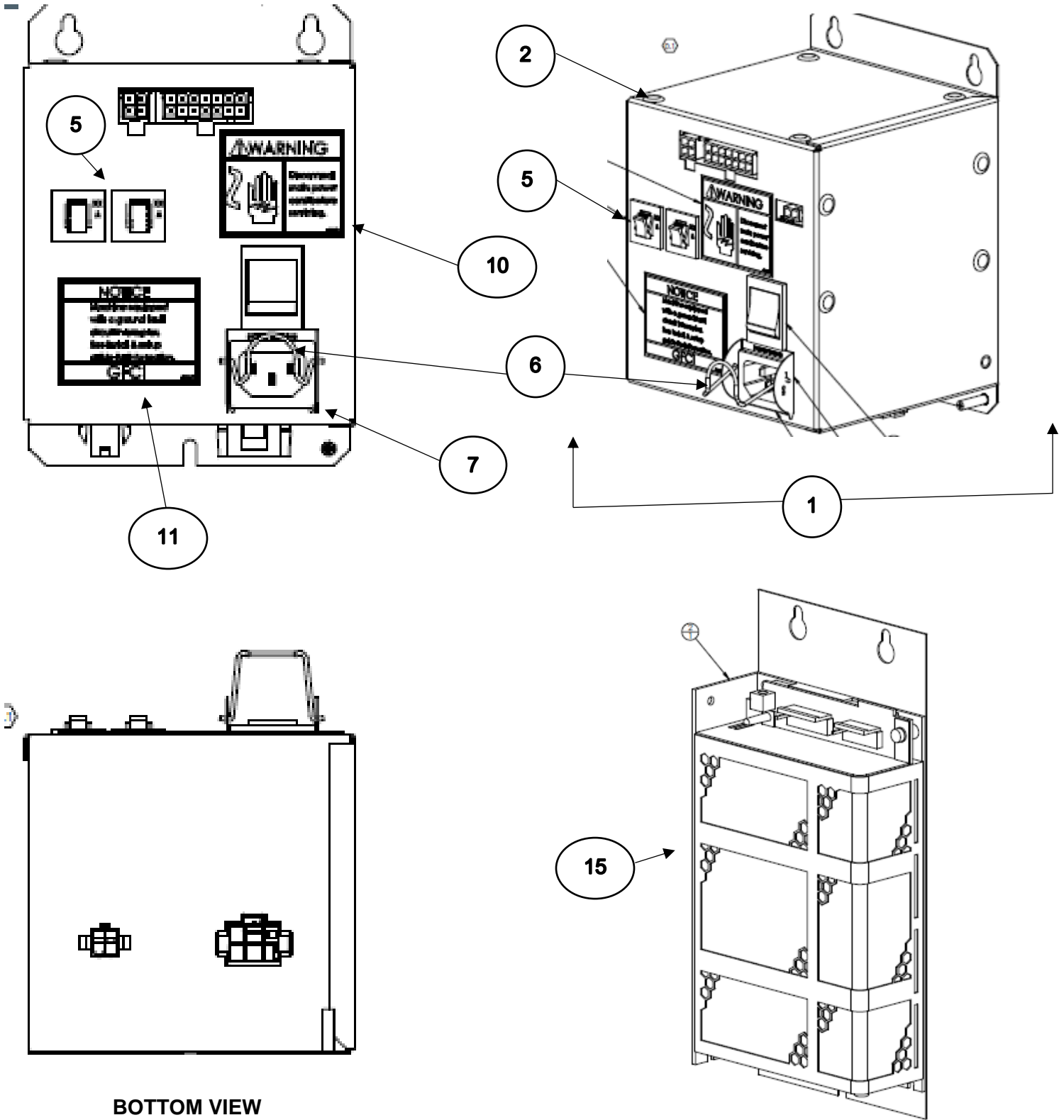
**FIGURE 13: BOTTLE TRAY ASSEMBLY COMBO**



**TABLE 13: BOTTLE TRAY ASSY**

ITEM	471	472	DESCRIPTION	4 W	6W
1A	403059	403250	ASSEMBLY, BOTTLE TRAY	----	----
2	108136	108135	WELD ASSY, BOTTLE TRAY	----	----
3A	103140	103140	LATCH	2	2
3B	100221	100221	RING, R, RETAINING, CIRCULA	4	4
4	104040	104040	STUD-TRAY LATCH	2	2
5	104397	110362	RAIL, PRICE & SELECTION	1	1
6	402126	402126	MOTOR & PC BOARD ASSEMBLY	7	10
7	103159	103159	COUPLING-SPIRAL	7	10
8	103720	103720	SPACER-MOTOR	7	10
9	100301	100301	8-32X3/8 PN/NIBS HD T23 BL	6	6
10	100027	100027	T BOLT 8-32 X 3/4	3	3
11	100153	100153	NUT, #8-32 KEPS ZINC PLATE	----	----
12	104068	104068	BUSHING, 0.512 DIAMETER	1	1
13	104179	104178	HOLDER, PRICE	1	1
14	100239	100239	SCREW, #8-32 X .81 HEX HD.	7	10
15	100223	100223	RIVET, POP-.125 DIA X .265	2	2
16	100221	100221	RETAINER, .312 PUSH ON	2	2
17	111962	111962	A, DIVIDER & SPRNG TRAY RM/MER	6	9
18A	110397	110397	ASSY-4CT LH SPIRAL & BLK RET	7	10
18B	110449	110449	ASSY,5CT LH SPIRAL & TAN RET	7	10
19	402193	402195	HARNESS-MOTOR BOTTLE (NOT SHOWN)	1	1
20	104575	104575	MTG BRKT+SLIDE ASM RT	1	1
21	104574	104574	MTG BRKT+SLIDE ASM LT	1	1
22	104144	104144	SLIDES, BOTTLE TRAY	2	2

**FIGURE 14: ASSY AC BOX & DC POWER SUPPLY**



**BOTTOM VIEW**

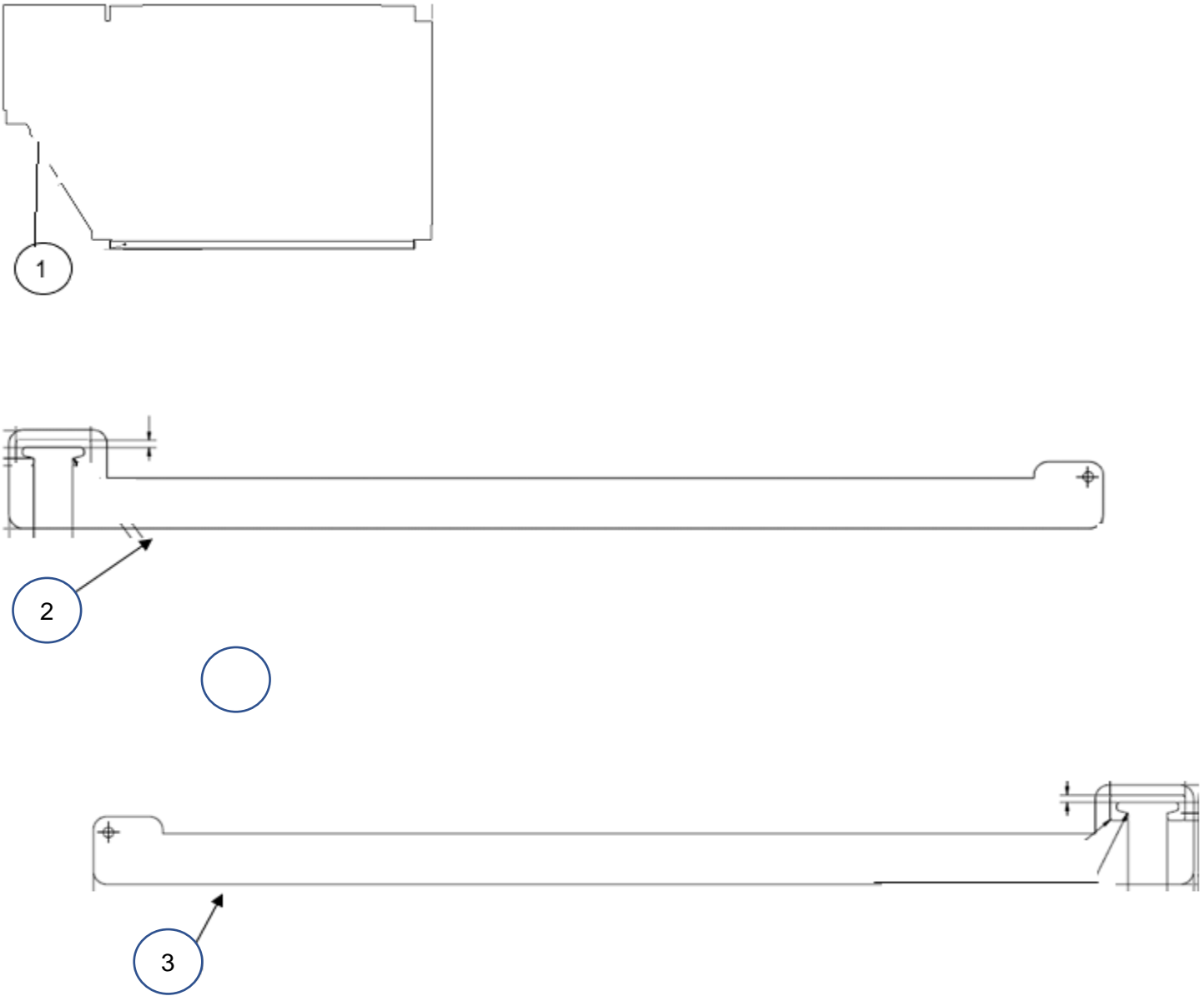
<b>TABLE 14A: ASSY, AC BOX</b>			
<b>ITEM</b>	<b>COMBO 471 &amp;472</b>	<b>DESCRIPTION</b>	<b>QTY</b>
1	402882	ASSY AC BOX GLOBAL COMBO DOM	1
	N/A	ASSY, STUD AC BOX HEATD DOM MG –	1
2	101171	STANDOFF, R,RICHCO RLCBSR401	4
3	400792	INSULATOR, ELECTRICAL (NOT SHOWN)	1
4	402893	UNIVERSAL ENVIRONMENTAL BOARD (NOT SHOWN)	1
5	400722	3A CIRCUIT BREAKER	2
6	104430	CLIP, AC/PWR CORD RETENTION	1
7	102993	PLUG, POWER INLET GFV B	1
8	402942	HARNESS AC JUMPER	1
9	101200	ON/OFF ROCKER SWITCH	1
10	402562	LBL, AC POWER BOX	1
11	402567	LBL, NOTICE GFCI EQUIPPED	1
12	402891	HARNESS, DC DISTRIBUTION	1
13	101041	JUMPER,R,PWR,INLET GROUND G	1
14	402949	AC DISTRIBUTION HARNESS MERCHANT R290	1

<b>TABLE 14B - DC POWER SUPPLY</b>			
15	403030	ASSY FLT DC POWER SUPPLY	1

<b>TABLE 14C - MISC. HARNESS NUMBERS</b>			
400538		HARNESS DC POWER IN	1
402917		THERMISTOR HARNESS	1
402779		HARNESS REFRIGERATION POWER	1
402782		HARNESS INTERIOR POWER	1
402942		HARNESS AC JUMPER	1
101002		LED HARNESS	1
101015		HARNESS LED BUNDLE	1
101009		MDB HARNESS	1
104222		HARNESS COIN RETURN	1
104354		HARNESS SUREVEND COMMS	1
101004		HARNESS DEX PANEL MOUNT	1
402193		HARNESS 7 BL MOTOR	-
402784		HARNESS BL MOTOR COUPLER	-
402785		HARNESS BL MOTOR REVERSE	-
402782		HARNESS POWER AND COMM	-
402779		HARNESS REFRIGERATION POWER	-
402190		HARNESS, DECK COMPRESSOR POWER	-
400695		POWER SUPPLY, 24VDC	1



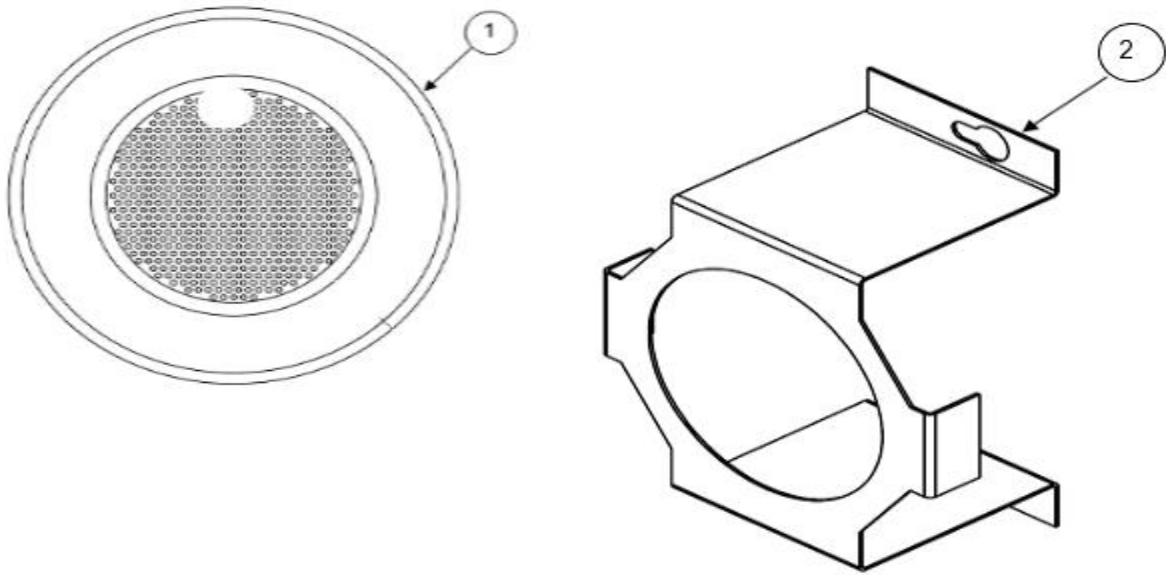
**FIGURE 15: ZONE BARRIER COMBO**



**TABLE 15: ZONE BARRIER COMBO**

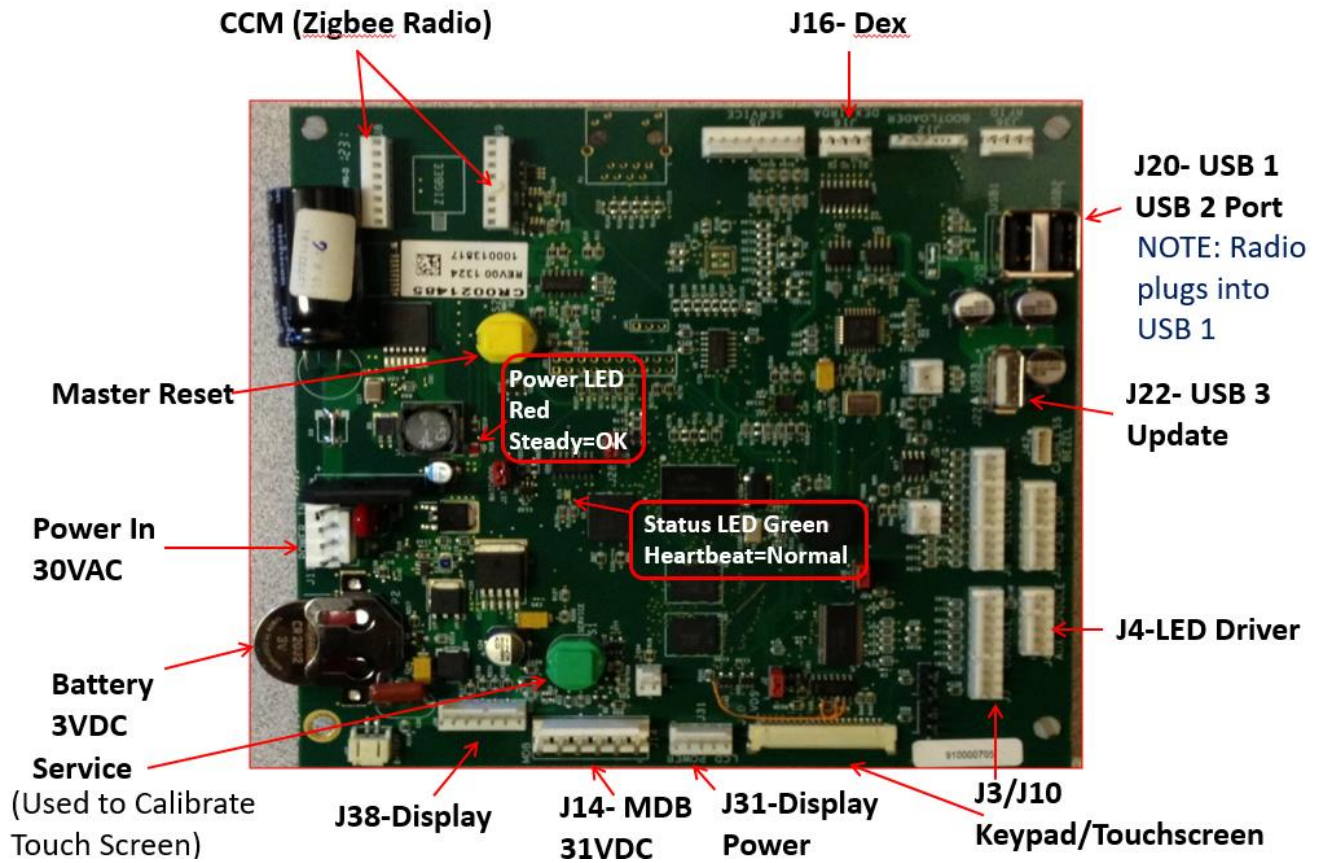
ITEM	4 WIDE 471	6 WIDE 472	DESCRIPTION	QTY
A	403373	N/A	KIT, 4W DUAL ZONE BARRIER	1
B	N/A	402948	KIT, 6W DUAL ZONE BARRIER	1
1	403374	402947	ASSEMBLY BARRIER	1
2	402634	402634	BRKT, INSULATED SHELF LT	1
3	402628	402628	BRKT, INSULATED SHELF RT	1

**FIGURE 16: MEDIA TALKER SPEAKER AND BRACKET ASSY**



<b>TABLE 16: MEDIA TALKER SPEAKER AND BRACKET ASSY</b>			
<b>ITEM</b>	<b>PART NUMBER</b>	<b>DESCRIPTION</b>	<b>QTY</b>
1	110602	SPEAKER, USB 3.5"	1
2	106476	SPEAKER BRACKER 3.5"	1

**FIGURE 17A: Merchant Media (G-Board)**



**TABLE 17A: MERCHANT MEDIA(G- BOARD) & HARNESSING**

ITEM	PART NUMBER	DESCRIPTION	QTY
A	111068	BOARD W/SFTWR ATLAS G (3.5 KEYPAD)	1
B	111067	BRD W/SFTWR ATLAS G TCH (7" TOUCHSCREEN)	1
J3/J10/J31/J38	100840	HARN ATLAS G 7 IN TOUCH (Black Screen)	1
J3/J10/J31/J38	110691	HARN ATLAS G TO DISPLAY (White Screen)	1
J4	101002	LED HARNESS	1
J7	400438	HARNESS DR SWITCH 18 IN	1
J11	104270	HARNESS INTERIOR POWER	1
J14	101009	MDB HARNESS	1
J16	101004	HARNESS, DEX PANEL MOUNT	1
J18/J19	110705	TEMP SENSOR HARNESS	1
J20	104172	ATLAS T CABLE USB A TO B	1
J42	100842	CARDREADER ELEC HARNESS	1

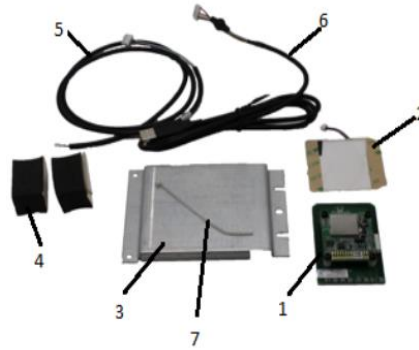
**Figure 17B: Merchant Media (H-Board)**



**TABLE 17B: MERCHANT MEDIA (H-BOARD)**

ITEM	PART NUMBER	DESCRIPTION	QTY
A	402504	BOARD W/SFTWR ATLAS H NO MODUM (9" TOUCHSCREEN)	1
B	402505	BOARD ATLAS H with VERIZON MODEM	1

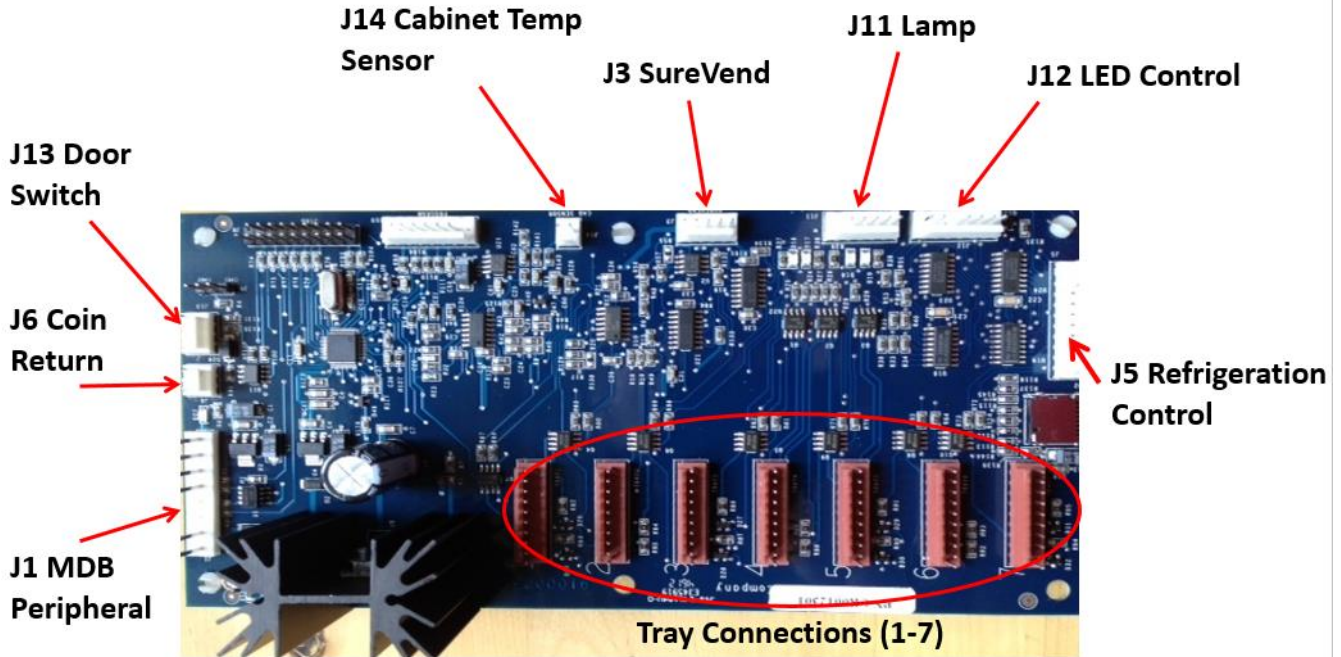
## FIGURE 18: NEAR FIELD COMMUNICATION(NFC) KIT



**TABLE 18:NEAR FIELD COMMUNICATION KIT (NFC)**

ITEM	PART NUMBER	DESCRIPTION
A	106770	RETROFT,INTEGRATED NFC WITH LED
B	112501	RETROFT,INTEGRATED NFC WITHOUT LED
1	400057	BD UIC680FG NFC READER
2	400063	ASSY LED PCBA NFC MEDIA
3	104799	COVER NFC READER MEDIA .045 X 4.48 X 5.61
4	102781	BLOCK FOAM NFC PLATE
5	101020	HARNESS NFC BADGE
6	100841	HARN USB CABLE TYPE A TO UIC
7	N/A	TIE WIRE #PLT1M-M20
8	400526	3/2 ID PHOS PUSH RING

**FIGURE 19: MERCHANT MEDIA I/O BOARD**

















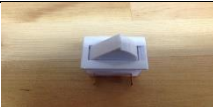
**NOTE: Used on Classic and Media (Version 222)**

**TABLE 18: MERCHANT MEDIA I/O BOARD**

ITEM	PART NUMBER	DESCRIPTION	QTY
A	403769	PCB ASSY IO-R290 COMBO	1
J1	101009	MDB HARNESS	1
J3	104354	HARNESS SUREVEND COMMS	1
J11	102999	HARN TEMPERATURE SENSOR LONG	1
J6	104222	HARNESS COIN RETURN	1
J12	Not Used	LED CONTROL	1
J13	108133	REFR DOOR SWITCH GATOR	1
J14	103726	HARNESS TEMP SENSOR EXT	1

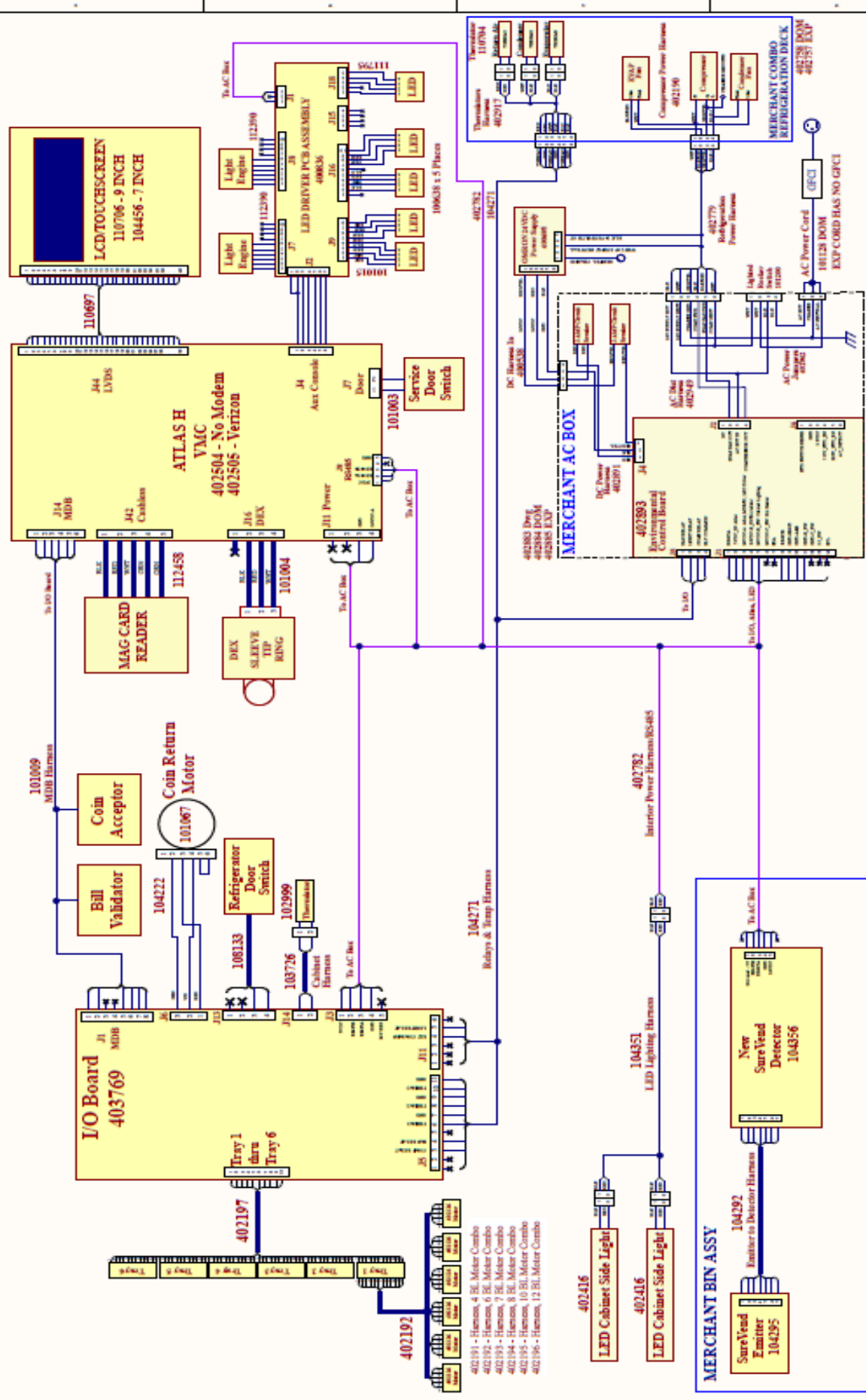
## QUICK REFERENCE MODEL 471HC /472HC

Item #	Description	Application	Part Image	Notes
402839	Atlas Controller w/software (Touch Version)	Media w/ Atlas H Board		
402841	Atlas Controller with Verizon Modem	Media w/ Atlas H Board		
403769	I/O PC Board	Combo		
402183	Touch Screen, 9 Inch	Ambient & Combo		
104281	Keypad & Display Assy	Ambient & Combo		Keypad Harness (p/n 104348) Adhesive sheet (p/n 104289) Mounting screws (4) / 100255
102975	PCB Assy, LED Driver Board	Ambient & Combo		P/C board Standoff (p/n 101171) For Integrated lighting on coin insert, validator, card swipe
100638	LED Accent Board	Ambient & Combo		P/C board Standoff (p/n 101171) For Integrated lighting on coin insert, validator, card swipe
400936	High Power Light Engine	Ambient & Combo		
103256	Sure, Vend Detector PCB Assy	Ambient & Combo		
103255	Sure, Vend Emitter PCB Assy	Ambient & Combo		
401599	Integrated Card Swipe	For Integrated Media units		 On Board Harness / 100842
102999	Temperature Sensor (Cabinet sensor)	Combo Unit		

110704	Temperature Sensor (Short Lead)	Combo Unit		<i>110705 Temp sensor harness (temp sensor(s) 110704 plug into this harness.)</i>
103970	Door Switch, Monetary Door	Ambient & Combo		
402126	Motor & PCB Assembly	R290 Combo		

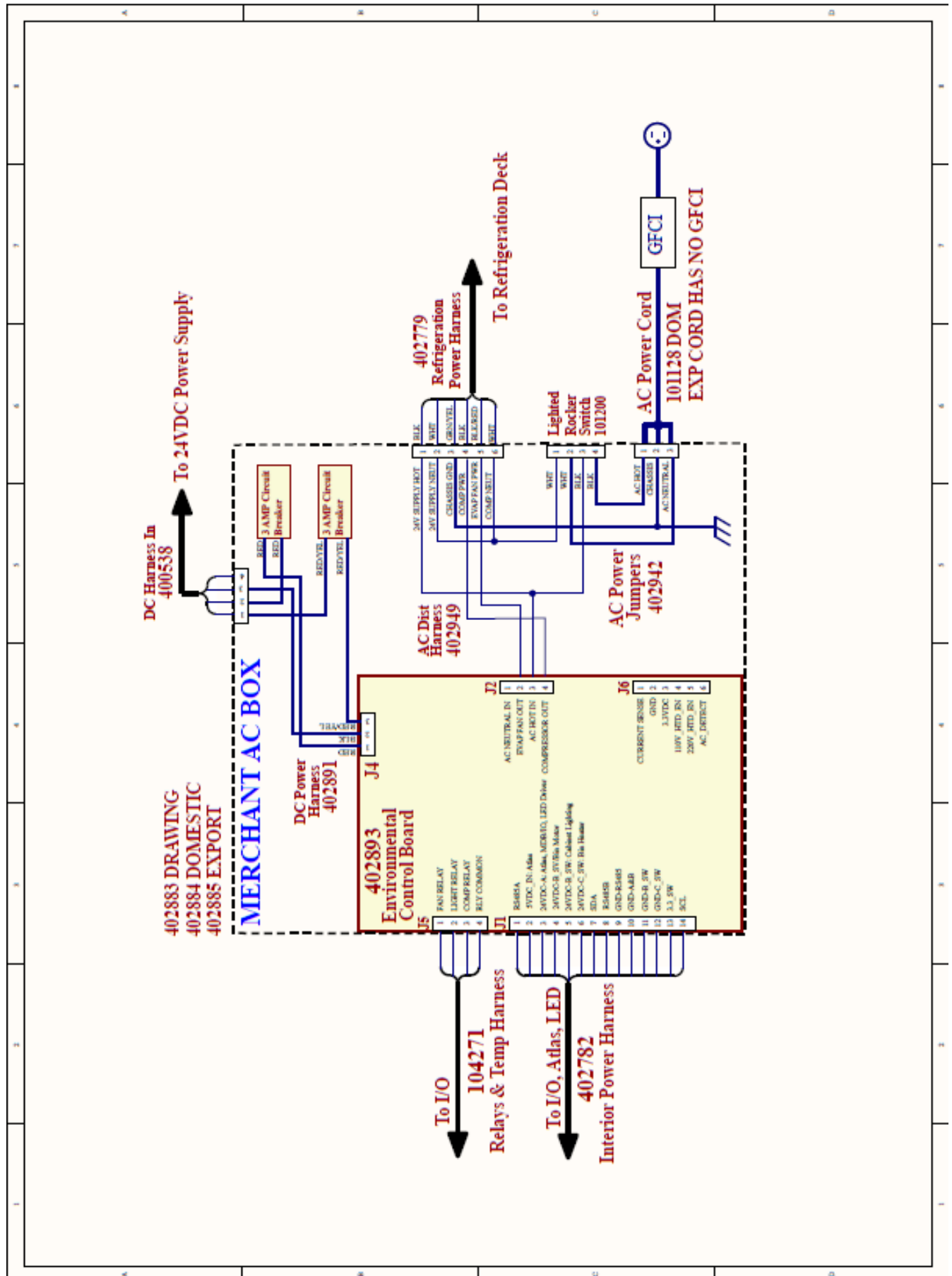


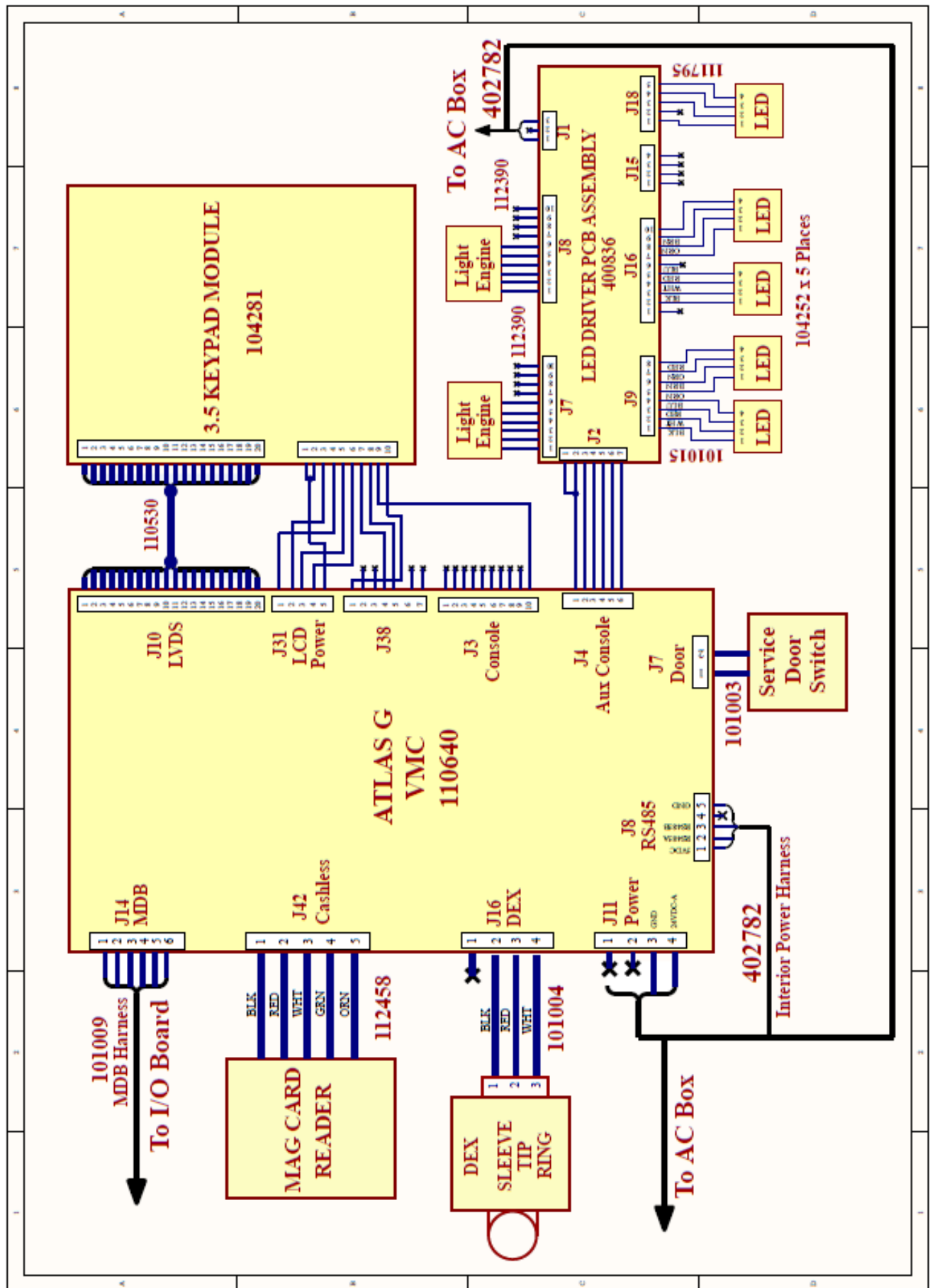
# R290 MERCHANT COMBO WIRING DIAGRAM

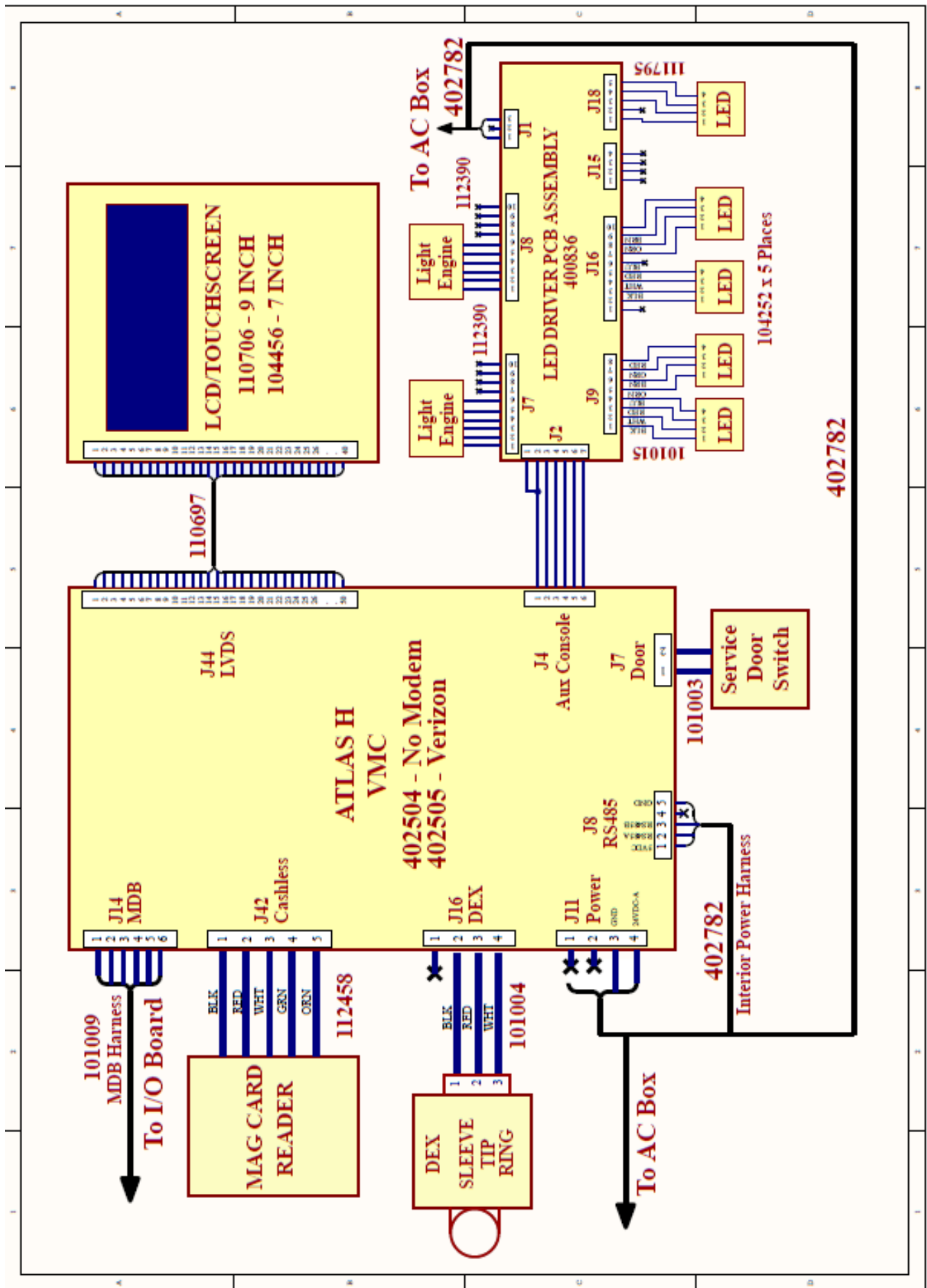


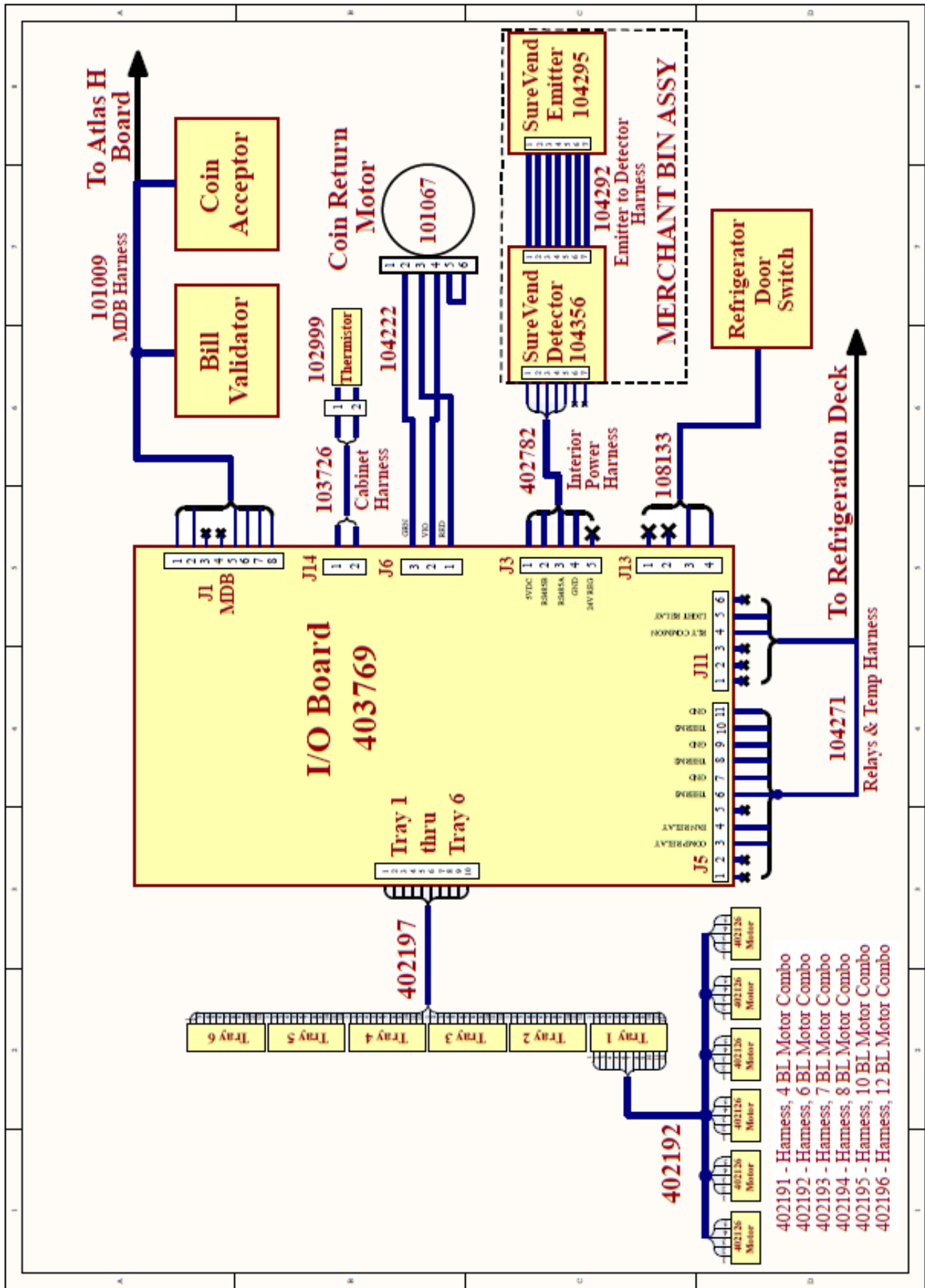
- 402191 - Hensons, 4 BE Motor Combo
- 402192 - Hensons, 6 BE Motor Combo
- 402193 - Hensons, 7 BE Motor Combo
- 402194 - Hensons, 8 BE Motor Combo
- 402195 - Hensons, 10 BE Motor Combo
- 402196 - Hensons, 12 BE Motor Combo

REV	DATE	DESCRIPTION
1	01/15/10	Initial Release
2	03/10/10	Revised for 10 BE Motor Combo
3	05/10/10	Revised for 12 BE Motor Combo
4	07/10/10	Revised for 14 BE Motor Combo
5	09/10/10	Revised for 16 BE Motor Combo
6	11/10/10	Revised for 18 BE Motor Combo
7	01/11/11	Revised for 20 BE Motor Combo
8	03/11/11	Revised for 22 BE Motor Combo
9	05/11/11	Revised for 24 BE Motor Combo
10	07/11/11	Revised for 26 BE Motor Combo
11	09/11/11	Revised for 28 BE Motor Combo
12	11/11/11	Revised for 30 BE Motor Combo
13	01/12/12	Revised for 32 BE Motor Combo
14	03/12/12	Revised for 34 BE Motor Combo
15	05/12/12	Revised for 36 BE Motor Combo
16	07/12/12	Revised for 38 BE Motor Combo
17	09/12/12	Revised for 40 BE Motor Combo
18	11/12/12	Revised for 42 BE Motor Combo
19	01/13/13	Revised for 44 BE Motor Combo
20	03/13/13	Revised for 46 BE Motor Combo
21	05/13/13	Revised for 48 BE Motor Combo
22	07/13/13	Revised for 50 BE Motor Combo
23	09/13/13	Revised for 52 BE Motor Combo
24	11/13/13	Revised for 54 BE Motor Combo
25	01/14/14	Revised for 56 BE Motor Combo
26	03/14/14	Revised for 58 BE Motor Combo
27	05/14/14	Revised for 60 BE Motor Combo
28	07/14/14	Revised for 62 BE Motor Combo
29	09/14/14	Revised for 64 BE Motor Combo
30	11/14/14	Revised for 66 BE Motor Combo
31	01/15/15	Revised for 68 BE Motor Combo
32	03/15/15	Revised for 70 BE Motor Combo
33	05/15/15	Revised for 72 BE Motor Combo
34	07/15/15	Revised for 74 BE Motor Combo
35	09/15/15	Revised for 76 BE Motor Combo
36	11/15/15	Revised for 78 BE Motor Combo
37	01/16/16	Revised for 80 BE Motor Combo
38	03/16/16	Revised for 82 BE Motor Combo
39	05/16/16	Revised for 84 BE Motor Combo
40	07/16/16	Revised for 86 BE Motor Combo
41	09/16/16	Revised for 88 BE Motor Combo
42	11/16/16	Revised for 90 BE Motor Combo
43	01/17/17	Revised for 92 BE Motor Combo
44	03/17/17	Revised for 94 BE Motor Combo
45	05/17/17	Revised for 96 BE Motor Combo
46	07/17/17	Revised for 98 BE Motor Combo
47	09/17/17	Revised for 100 BE Motor Combo

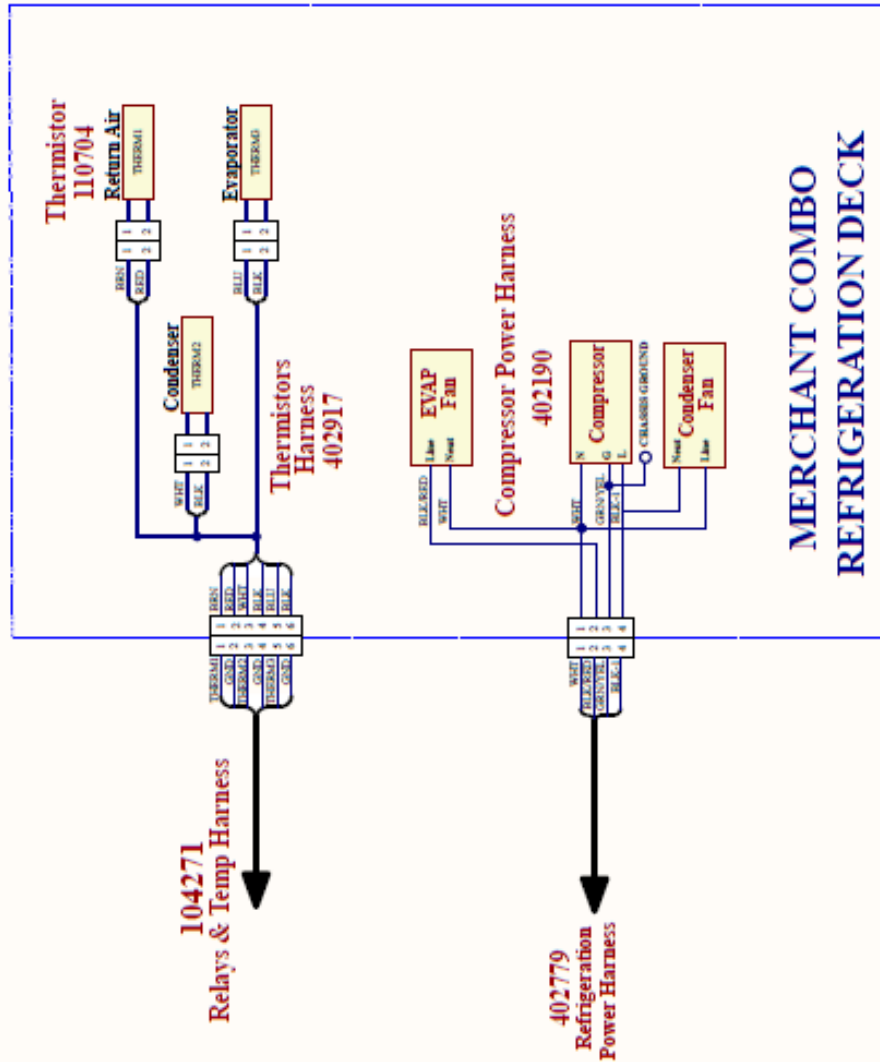








- 402191 - Harness, 4 BL.Motor Combo
- 402192 - Harness, 6 BL.Motor Combo
- 402193 - Harness, 7 BL.Motor Combo
- 402194 - Harness, 8 BL.Motor Combo
- 402195 - Harness, 10 BL.Motor Combo
- 402196 - Harness, 12 BL.Motor Combo



**MERCHANT COMBO  
REFRIGERATION DECK**

**402758 DOMESTIC  
402757 EXPORT**